

NEPGI Series Ground Indicator

Class I, Div. 1, 2, Groups B*, C*, D; Class I, Zone 1, 2, Groups IIA, IIB*+H2*; Class II, Div. 1, 2, Groups E, F, G; Class III; NEMA 4, 7B*C*D, 9EFG

Use:

The Grounding Device is used to logically indicate the presence of grounding of tank cars or tank trucks before and during transfer of combustible materials. When connected to a truck prior to loading or unloading, the presence of a safe ground is indicated by a green light and the absence of ground is indicated by a red light. Interlocking circuitry will prevent pumps from starting until a ground is established or shut pumps down if a ground is lost at any time during loading or unloading. This intrinsically safe circuit and explosionproof enclosure enables the ground device to be used in hazardous location areas.

Features:

- Clamp and Cable - The coiled cable provided: 2 conductor #14 SO terminated with an alligator ground clamp.
- Power requirements - 115/240VAC.
- Control contacts - 250VAC - 10 amp continuous.
- Indicators - one green light for "Satisfactory Ground", one red light for "No Ground".
- Compact design.
- Hinges supplied.
- External ground lug and internal ground lug supplied; accommodate #14 through #2 AWG.

Materials:

- Enclosure: Copper-free aluminum.

Finishes:

- Grey epoxy powder coat

Applicable Third Party Standards:

UL Standard 698

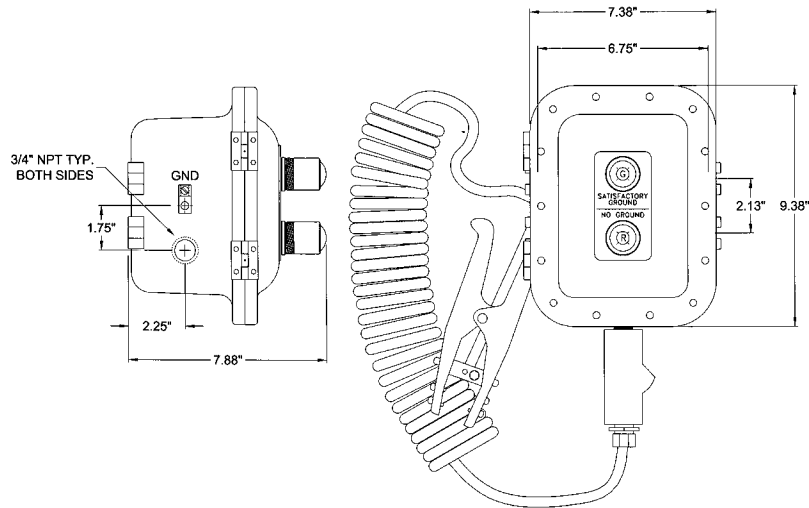
Third Party Certification:



UL Classified

Compliances:

Class I, Div. 1, 2, Groups B*, C*, D
 Class I, Zone 1, 2, Groups IIA, IIB*+H2*
 Class II, Div. 1, 2, Groups E, F, G
 Class III
 NEMA 4, 7B*C*D, 9EFG



| Coiled Cable Length | Conduit Entries | Catalog No. |
|---------------------|-----------------|-------------|
| 25 feet | 3/4" NPT | NEPGI |
| 50 feet | 3/4" NPT | NEPGI-50 |

* For Class I, Groups B and C; Zone 1, Groups IIB+H2, all conduits must be sealed within 2" of the enclosure.