

Introduction to Cast Junction Boxes

I Purpose of Enclosure

Enclosures are used to protect personnel against accidental contact with enclosed electrical devices or connections and to protect the enclosed devices or connections against specified external conditions. They also serve as intermediate pulling and splicing points in a conduit system.

II Design of Enclosures

Enclosures are offered in different designs and construction to permit their use in various locations and areas. These are as follows:

Non-hazardous Locations:

- 1 Weatherproof boxes are so constructed as to be suitable for use outdoors under normal conditions. If it is necessary to prevent the entry of water under extreme conditions of weather, boxes listed as watertight or raintight are recommended.
- 2 Raintight boxes are so constructed as to exclude a beating rain. All boxes in this catalog which are designated as raintight have been so listed by Underwriters Laboratories, Inc.
- 3 Watertight boxes (NEMA Type 4) are constructed to meet the requirements listed under "NEMA DATA" on Page UA3.
- 4 Submersible Boxes are so constructed that they will exclude water when submerged under specified conditions of pressure and time.
- 5 Dust-Tight Boxes are so constructed to meet the requirements listed on Page UA4 under "NEMA DATA".

Hazardous Locations:

Consult Section V for our complete line of Hazardous Location Enclosures.

III Advantages of Cast Enclosures

Cast metal enclosures have the advantage over formed (fabricated) sheet metal enclosures for the following reasons:

- A They are of one piece construction and do not have the disadvantages of spot welded seams usually found in formed sheet metal boxes.
- B They have greater mechanical strength, have thicker walls and are suitable for drilling and tapping at the factory or in the field.
- C They are corrosion resistant and can withstand more mechanical abuse.

IV Comparison of Enclosures in Various Cast Metals

CAST IRON BOXES will provide long life, are inherently corrosion resistant and have the lowest initial cost.

CAST ALUMINUM BOXES are lightweight, non-rusting, non-sparking, and non-magnetic. They are subject to corrosion under certain alkalis conditions such as encasement in concrete unless provided with a suitable coating.

CAST BRONZE BOXES (optional) will provide long life under adverse atmospheric conditions, are non-rusting, non-sparking and non-magnetic.

V Finishes on Cast Enclosures

CAST IRON - The hot-dip galvanized finish which is applied to all our cast iron boxes will conform to ASTM Designation A153-73, Class A and NEMA requirements for rust-resistance. Other protective finishes such as various types of paints or plastic coatings can be supplied.

CAST ALUMINUM - supplemental finishes are not normally required on cast aluminum enclosures. Special finishes such as epoxy coating, anodizing or plastic coating to meet specific environmental conditions can be applied.

CAST BRONZE is inherently corrosion resistant. Supplemental finishes are usually not required on cast bronze.

VI Hardware Used on Cast Enclosures

CAST IRON BOXES are furnished with Stainless Steel screws. Silicon bronze screws are available on most enclosures. CAST ALUMINUM BOXES are furnished with stainless steel screws. CAST BRONZE BOXES are furnished with either brass or silicon bronze screws.

VII Specification of Extras on Cast Enclosures

The type of holes to be provided for the entrance of conduit into the enclosure are defined under "Instructions for Ordering Boxes" on Page UA4.

VIII Specification of Extras on Cast Enclosures

The "Standard Construction" of each type of enclosure is shown on each listing. The extras which are available and must be specified are shown under "Additional Cost Items" on Pages UA6, UA7.

IX Delivery Schedules

Cast enclosures are normally produced to order. However, faster deliveries can be provided for some of the more commonly specified styles and sizes. Contact your Local Representative for delivery information and assistance to expedite shipments of the material required on your order.

Cast Iron & Cast Aluminum Boxes

NEMA Data

Our cast junction boxes are designed, constructed and tested to comply with NEMA standards. The following chart has been prepared to provide a quick reference for selecting enclosures to meet specific NEMA requirements.

A brief description of the more common types of enclosures used by the electrical industry relating to their environmental capabilities follows. Please refer to the appropriate sections of NEMA Standards Publication No. 250-1979. Enclosures for Electrical Equipment (1000 Volts Maximum) for complete information regarding applications, features and design tests.

Definitions Pertaining to Non-hazardous Locations

Type 1 enclosures are intended for use primarily to provide a degree of protection against contact with the enclosed equipment.

Type 2 enclosures are intended for indoor use primarily to provide a degree of protection against limited amounts of falling water.

Type 3R enclosures are intended for outdoor use primarily to provide a degree of protection against falling rain, sleet, and external ice formation.

Type 3S enclosures are intended for outdoor use primarily to provide a degree of protection against windblown dust, rain, sleet, and provide for operation of external mechanisms when ice laden.

Type 4 enclosures are intended for indoor or outdoor use primarily to provide a degree of protection against windblown dust and rain, splashing water, and hose-directed water.

***Type 4X** enclosures are intended for indoor or outdoor use primarily to provide a degree of protection against corrosion, windblown dust and rain, splashing water, and hose-directed water.

Type 5 enclosures are intended for indoor use primarily to provide a degree of protection against dust and falling dirt.

Type 6 enclosures are intended for indoor or outdoor use primarily to provide a degree of protection against the entry of water during occasional temporary submersion at a limited depth. (30 min. @ 6 ft.)

Type 6P enclosures are intended for indoor or outdoor use primarily to provide a degree of protection against the entry of water during prolonged submersion at a limited depth. (24 hrs. @ 6ft.)

Type 11 enclosures are intended for indoor use primarily to provide by oil immersion, a degree of protection to enclosed equipment against the corrosive effects of liquids and gases.

Type 12 enclosures are intended for indoor use primarily to provide a degree of protection against dust, falling dirt, and dripping non-corrosive liquids.

Type 12K enclosures with knockouts are intended for indoor use primarily to provide a degree of protection against dust, falling dirt, and dripping non-corrosive liquids other than at knockouts.

Type 13 enclosures are intended for indoor use primarily to provide a degree of protection against dust, spraying of water, oil, and non-corrosive coolant.

Definitions Pertaining to Hazardous (Classified) Locations

Type 7 enclosures are for use indoors in locations classified as Class I, Groups A, B, C, or D, as defined in the *National Electrical Code*. See Section V.

Type 9 enclosures are for use in indoor locations classified in Class II, Groups E, F, or G, as defined in the *National Electrical Code*. See Section V.

Type of Enclosure	Type 1 Type 5	Type 2	Type 3 Type 3R Type 3S	Type 4	Type 4X	Type 6	Type 12 Type 12K Type 13
YS & YS-A	✓	✓	✓	✓	*		✓
YL & YL-A	✓	✓	✓	✓	*		✓
YF	✓	✓	✓	✓		✓	✓
YF-A	✓	✓	✓	✓	*		✓
YW & YW-A	✓	✓	✓	✓	*		✓
YU	✓	✓	✓				✓
YR	✓	✓	✓	✓			✓
YT	✓	✓					
YC	✓	✓					
YW-T & YW-T-A	✓	✓	✓	✓	*		✓
YCW & YCW-A	✓	✓	✓	✓	*		✓
YPW & YPW-A	✓	✓	✓	✓	*		✓
YBW & YBW-A	✓	✓	✓	✓	*		✓

* Aluminum enclosures with stainless steel hardware may be ordered with optional polyester powder coating to meet Type 4X corrosion protection. Contact your local representative for price and availability.

Instructions for Ordering Boxes

The following information should be given on all box orders:

Catalog Number and Inside Dimensions (L x W x D) should be specified.

Sketch showing size and location of conduit entrances should be furnished similar to Drilling Template, Fig. 2, page UA5. Tables on page UA5 give recommended spacing between conduits and minimum distance from corner and back of box. When spacings are not specified, they will be located at our discretion.

Type of Conduit Entrances (see Fig. 1, below) should be specified as follows:

- 1 Slip-Hole (conduit clearance hole).
- 2 Drilled and Tapped hole (D&T).
- 3 Bossed, Drilled and Tapped hole to provide greater thread engagement (D&T with boss).
- 4 Boss only (for Drilling and Tapping in field). Specify conduit size.

Mounting Lugs (See Fig. 1 below) are provided on all surface mounted boxes over 100 cubic inches of internal volume to meet NEC Section 314.23(E). Boxes 100 cubic inches or less may be supported by 2 or more conduits threaded into the enclosure, or by optional mounting lugs. Boxes up to 12" x 6" have 2 mounting lugs. Larger boxes have 4 mounting lugs. All mounting lugs will be located on the long sides of the box, unless otherwise specified. Refer to page UA10 for dimensional data.

Mounting Buttons (see Fig. 1 below) for mounting equipment off the back of the box can be furnished located on standard centers and blind D & T for ¼" - 20 screws. If special mounting button arrangement is required furnish a sketch showing layout including the size of the mounting screws. Please use the drilling template provided on page UA11.

Covers other than standard, must be specified if required.

Gaskets other than standard must be specified if required.

Drilled & Tapped Holes are threaded holes provided in the enclosure wall into which the conduit is screwed. To meet UL requirements, they must conform to the following:

1* Enclosures for use in Non-hazardous Locations must have a wall thickness of not less than ¼" at the tapped holes for the conduit and there shall be not less than 3½ threads in the metal.

*Compare the wall thickness shown in the catalog page for these enclosures with the chart below to determine the number of threads which the box wall will provide for the various conduit sizes. If more threads are required, please specify a Bossed, Drilled and Tapped hole, type BDT.

Conduit Size	Number of Threads per inch	Wall Thickness Required Inches	
		5 Threads	3½ Threads
¾"	18	⅜	⅞**
½" to ¾"	14	⅜	¼
1" to 2"	11½	⅞	⅞
2½" to 6"	8	⅞	⅞

**¼" minimum wall thickness must be provided

Conduit Entrances:

Slip Holes: These are clearance holes for conduit. No threads are provided. Conduits are usually fastened in slip holes by means of locknuts and bushings. *STANDARD LOCKNUT SPACINGS MUST BE ALLOWED BETWEEN THE CONDUITS.* See Table on Page UA5.

Bossed, Drilled & Tapped Holes are holes threaded thru the box wall and a boss (or pad) which has been added at the location of the conduit entrance to provide added wall thickness for 5 threads of engagement.

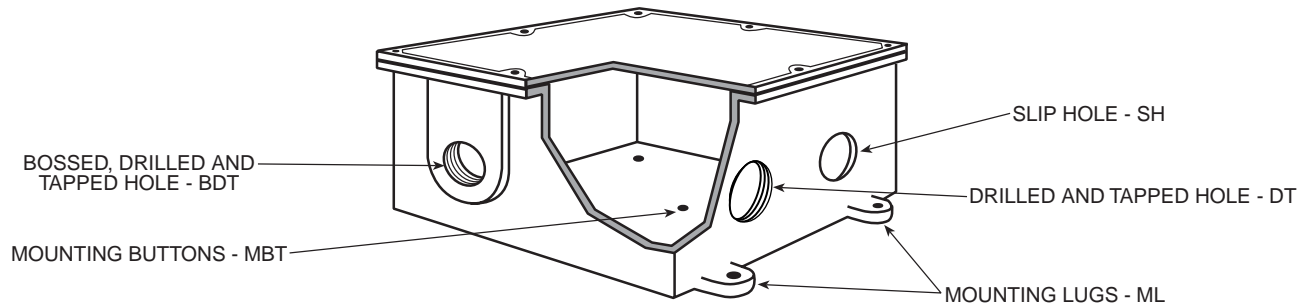


Fig. 1

Instructions For Ordering Boxes

Drilling Template

- View looking into box - sides laid down.
- Dimensions are always understood to be Inside Measurements unless otherwise specified.
- See page UA11 for a blank Drilling Template, for copier reproduction or computer scanning.

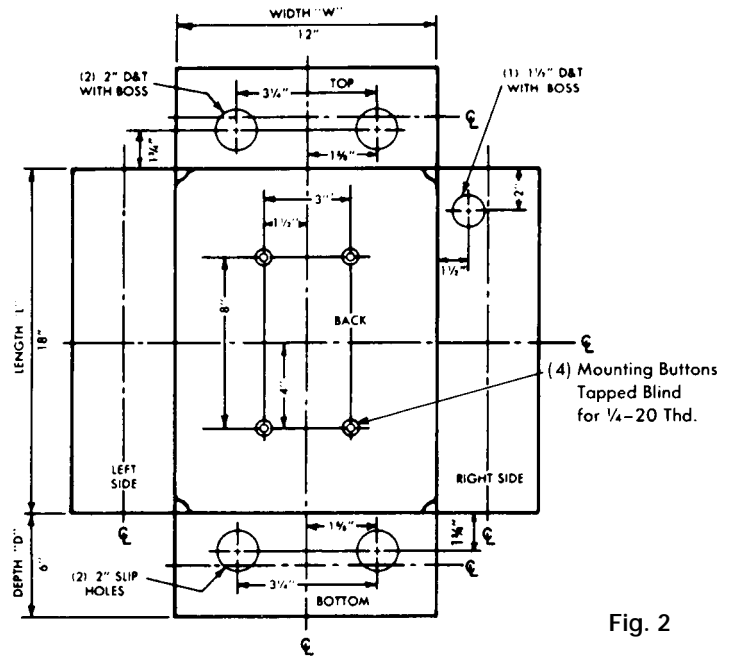


Fig. 2

Recommended Spacing and Location of Conduits

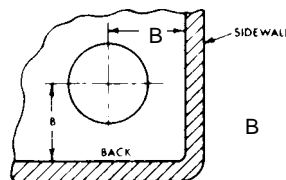
(Allows for bushing and locknut clearance)

All boxes of the Type YS, YL, YC, YW, and YT have a post in each corner and allowance must be made for them, when conduit entrances are to be located close to a corner. Dimension "A" in the table below is the minimum distance allowable from the sidewall of these boxes to the centerline of the conduit entrance, which provides the proper clearance between a locknut and the post. The "B" dimension will provide the proper clearance between a locknut or bushing and the sidewall of all other types of boxes and between a locknut or bushing and the backs of all boxes, including Types YS, YL, YC, YW, and YT.

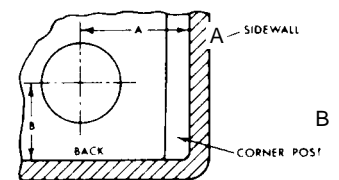
Size of Conduit	Minimum Space Between Centers of Conduits* (inches)											
	6	5	4	3 1/2	3	2 1/2	2	1 1/2	1 1/4	1	3/4	1/2
1/2	5	4 3/8	3 3/8	3 3/8	3	2 3/8	2 3/8	2	1 3/8	1 3/8	1 1/8	1 1/8
3/4	5 1/2	4 1/2	3 3/4	3 1/2	3 3/8	2 3/4	2 1/2	2 1/2	2	1 3/4	1 3/4	
1	5 3/4	4 3/4	4	3 3/4	3 1/4	3	2 3/4	2 3/4	2 1/4	2		
1 1/4	5 1/2	4 3/4	4 1/4	3 3/4	3 1/2	3 1/4	2 3/4	2 1/2	2 1/2			
1 1/2	5 3/4	5	4 1/4	4	3 3/4	3 1/4	3	2 3/4				
2	6	5 1/2	4 3/4	4 1/4	3 3/4	3 3/8	3 3/4					
2 1/2	6 1/4	5 3/4	4 3/4	4 3/8	4 1/4	3 3/8						
3	6 3/8	6	5 1/4	5	4 3/4							
3 1/2	7	6 1/4	5 3/4	5 1/4								
4	7 1/4	6 3/4	5 3/4									
5	8	7 1/4										
6	8 3/4											

*If Conduit Fittings are used additional spacing between conduits will be required. Determine spacings based on fittings being used.

Conduit Size	Minimum Spacing of Conduit From Sides and Back											
	1/2"	3/4"	1"	1 1/4"	1 1/2"	2"	2 1/2"	3"	3 1/2"	4"	5"	6"
Dimension - A	1 1/4"	1 3/8"	1 5/8"	1 7/8"	2"	2 3/8"	2 5/8"	3"	3 3/4"	3 3/8"	4 1/4"	4 7/8"
Dimension - B	1"	1"	1 1/8"	1 1/8"	1 1/2"	1 3/4"	2 1/8"	2 1/2"	2 3/4"	3 1/8"	3 3/4"	4 3/8"



Types YF, YU, YR



Types YS, YL, YW, YC, YT

Cast Iron Boxes & Cast Aluminum Boxes

Additional Cost Items

The table below shows the additional cost items available on the different types of enclosures shown in this catalog. The cost of these items are shown in the tables on the adjacent page and when not furnished as standard equipment the cost must be added to the base price of the box.

Special Equipment Consult Factory for Prices and Availability

Box Assemblies:

Our manufacturing and engineering facilities are available to help solve your special problems involving combinations of boxes and other equipment such as barriers, receptacles, cable seals, indicating lights, transformers, fuses, relays, terminal blocks, etc. Boxes incorporating variations of standard construction, special sizes and boxes of cast bronze can also be furnished.

Complete data regarding quantities and specifications will be required for quotation of special boxes. Please refer your requirements to our local representative.

Special Covers of plain or checkered aluminum, plain brass plate and plain or checkered bronze can be furnished as well as steel checkered plate covers for pedestrian or vehicular traffic.

Special Gaskets to meet specific environmental or temperature requirements can be furnished. Some of the materials frequently specified are: Hypalon, Vellumoid, Nitrile and Silicon Rubber.

Special Hardware such as tamper proof screws, silicon bronze screws or hex head screws are available.

Special Coatings such as various types of epoxy paints or plastic coatings can be applied. Information regarding type of coating, thickness and color required must be specified.

Lettering on Covers can be furnished. These are usually raised cast-on letters or engraved letters and can be applied to the cover of any type box.

Submersibility Tests can be made on our Types YF within the limitations shown on Pages UA16 listing these enclosures.

Certifications can be furnished if specific requirements are provided at time of order.

ITEM Catalog Designation	TYPE OF ENCLOSURE															
	YS	YL	YF	YW	YU	YR	YT	Y58E	YC	YNY	YW-T	1950	YCW	YPW	YBW	
Slip Holes (SH)	✓	✓	✓	✓	✓	✓	✓	NA	✓	NA	✓	NA	NA	NA	NA	
D & T Holes (DT)	✓	✓	✓	✓	✓	✓	✓	NA	✓	NA	✓	✓	NA	NA	NA	
Bosses Only (BWH)	✓	✓	✓	✓	✓	✓	✓	NA	✓	NA	✓	✓	NA	NA	NA	
D & T/Boss (BDT)	✓	✓	✓	✓	✓	✓	✓	NA	✓	NA	✓	✓	S	S	S	
Mtg. Lugs (ML)	S	S	S	S	✓	✓	✓	NA	✓	NA	S	S	NA	NA	NA	
Mtg. Buttons (MBT)	✓	✓	✓	✓	✓	✓	✓	NA	✓	NA	NA	NA	NA	NA	NA	
Mtg. Plates (YM)	✓	✓	✓	✓	✓	✓	✓	NA	✓	NA	NA	NA	NA	NA	NA	
Hinges (HNG)	NA	NA	NA	S	✓	NA	NA	NA	S	NA	S	NA	NA	NA	NA	
Drain & Breather (DB)	✓	✓	✓	✓	✓	NA	NA	NA	NA	NA	✓	✓	✓	✓	✓	
Hasp (HSP)	NA	NA	NA	✓	✓	NA	NA	NA	NA	NA	✓	NA	NA	NA	NA	

✓ Available as required - at additional charge.

S - Furnished as standard equipment - at no additional charge

NA - Not permitted on this type of enclosure by NEMA and Underwriters Laboratories, Inc. standards and specifications, or basic construction of box will not allow or require this item.

Cast Iron Boxes & Cast Aluminum Boxes

Additional Cost Items

Drilling & Tapping

Applies to: Types YS, YL, YF, YW-T, YT, YC, YU, YR

Conduit Size (Inches)	Drilling Only Slip Hole	Drilling & Tapping No Boss	Boss Only 5 Threads w/o Hole	Boss for 5 Threads and Tapping
	Catalog Number	Catalog Number	Catalog Number	Catalog Number
3/8	SH-38	DT-38	BWH-38	BDT-38
1/2	SH-50	DT-50	BWH-50	BDT-50
3/4	SH-75	DT-75	BWH-75	BDT-75
1	SH-100	DT-100	BWH-100	BDT-100
1 1/4	SH-125	DT-125	BWH-125	BDT-125
1 1/2	SH-150	DT-150	BWH-150	BDT-150
2	SH-200	DT-200	BWH-200	BDT-200
2 1/2	SH-250	DT-250	BWH-250	BDT-250
3	SH-300	DT-300	BWH-300	BDT-300
3 1/2	SH-350	DT-350	BWH-350	BDT-350
4	SH-400	DT-400	BWH-400	BDT-400
4 1/2	SH-450	DT-450	BWH-450	BDT-450
5	SH-500	DT-500	BWH-500	BDT-500
6	SH-600	DT-600	BWH-600	BDT-600

Hinges for YU Boxes

Type	Box Size	Catalog Number	Number of Hinges Per Set
Stainless Steel	Up to 12" x 12"	HNG-22SS	2
Butt Type	Up to 18" x 18"	HNG -23SS	2
For YU Boxes	Larger than 18" x 18"	HNG -33SS	3

Hasps Hot dip galvanized steel (lock not included)

Box Size	Catalog Number
Up to 12" x 12"	HSP-13SG
Larger than 12" x 12"	HSP-15SG

Optional Mounting Lugs with Bolt Holes

Max. Box Size	No. of Lugs	Number
Sizes up to 6"L x 4"W	2 4	2-ML-0604 4-ML-0604
Sizes 6"L x 6"W Up to 12"L x 4"W	2 4	2-ML-1204 4-ML-1204
Sizes 12"L x 6"W Up to 18"L x 16"W	2 4	2-ML-1816 4-ML-1816
Sizes 18"L x 18"W and larger	4	4-ML-3636

Mounting lugs are standard equipment on surface mounted boxes over 100 cubic inches of internal volume at no additional charge.

Combination Drain & Breather Fittings D&T and installation included

Size (Inches)	Catalog Number
3/8"	MDB-38
1/2"	MDB-50

Interior Mounting Buttons Standard tapped blind for 1/4" - 20 thread

Quantity Per Box	Catalog Number
1	1-MBT
2	2-MBT
3	3-MBT
4	4-MBT

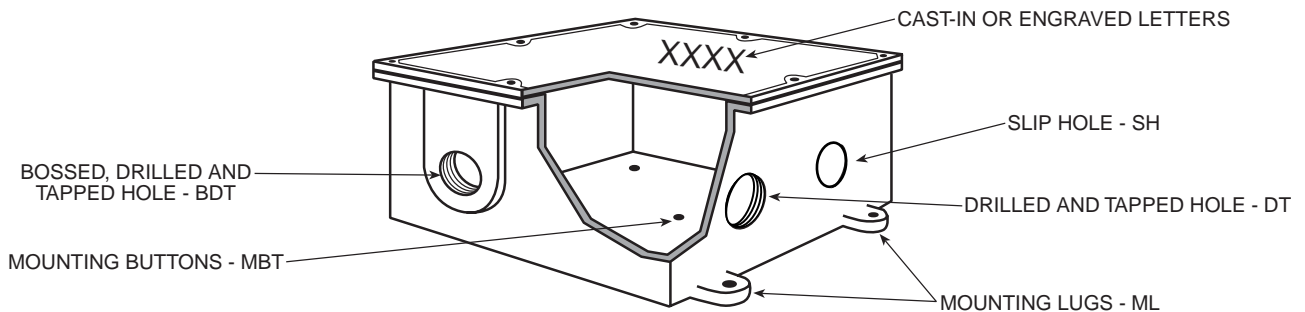
Specify if other than 1/4"-20 thread required.

Grounding Kits

Catalog Number	Wire Capacity Al-Cu Tinned Copper
GK-04	#14-4 AWG
GK-10	8-1/0 AWG
GK-25	6 AWG-250kcmil

Letters Engraved on Box Covers

Description	Catalog Number
Up to 10 letters, one line	ENGRAVE-1
Up to 20 letters, two lines	ENGRAVE-2

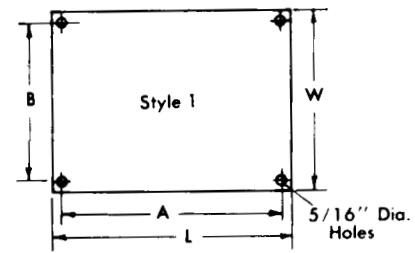


Mounting Plates For Cast Iron & Cast Aluminum Boxes

Mounting plates are used for mounting equipment up off the back of an enclosure. Steel Plates are all 1/8" thick hot dip galvanized material. Aluminum plates are 1/8" thick material up to and including 12" x 12" size. All larger sizes are constructed of 3/16" thick aluminum plate.

For mounting plates in smaller boxes than listed, use similar catalog number logic. Example: A steel mounting plate for a YF-040403 box would be "YM-0404-1." Pricing will be based upon a YM-0808-1 price.

THE CATALOG NUMBER SHOWN IN THE TABLE BELOW INCLUDES THE MOUNTING BUTTONS AND THE COST OF MOUNTING THE PLATE IN THE BOX.



Select mounting plates based on inside length and width of box. Order as a separate line item immediately following the Catalog Number of the box as follows:

Example: YS-080804
YM-0808-2

Inside Length & Width of Junction Box in Inches	Catalog Number - Steel Plates		Catalog Number - Aluminum Plates		Dimension in Inches				
	For use in YF, YR, YE & YG Junction Boxes†	For use in YS, YL & YW Junction Boxes	For use in YF, YR, YE & YG Junction Boxes†	For use in YS, YL & YW Junction Boxes	Style	L	W	A	B
8 x 8	YM-0808-1		YM-0808-1A		1	6 $\frac{3}{4}$	6 $\frac{3}{4}$	6	6
		YM-0808-2		YM-0808-2A		6	6	5 $\frac{1}{4}$	5 $\frac{1}{4}$
10 x 8	YM-1008-1		YM-1008-1A		1	8 $\frac{3}{4}$	6 $\frac{3}{4}$	8	8
		YM-1008-2		YM-1008-2A		8	6	7 $\frac{1}{4}$	5 $\frac{1}{4}$
10 x 10	YM-1010-1		YM-1010-1A		1	8 $\frac{3}{4}$	8 $\frac{3}{4}$	8	8
		YM-1010-2		YM-1010-2A		8	8	7 $\frac{1}{4}$	7 $\frac{1}{4}$
12 x 8	YM-1208-1		YM-1208-1A		1	10 $\frac{3}{4}$	6 $\frac{3}{4}$	10	6
		YM-1208-2		YM-1208-2A		10	6	9 $\frac{1}{4}$	5 $\frac{1}{4}$
12 x 10	YM-1210-1		YM1210-1A		1	10 $\frac{3}{4}$	8 $\frac{3}{4}$	10	8
		YM-1210-2		YM1210-2A		10	8	9 $\frac{1}{4}$	5 $\frac{1}{4}$
12 x 12	YM-1212-1		YM-1212-1A		1	10 $\frac{3}{4}$	10 $\frac{3}{4}$	10	10
		YM-1212-2		YM-1212-2A		10	10	9 $\frac{1}{4}$	9 $\frac{1}{4}$
14 x 8	YM-1408-1		YM-1408-1A		1	12 $\frac{3}{4}$	6 $\frac{3}{4}$	12	6
		YM-1408-2		YM-1408-2A		12	6	11 $\frac{1}{4}$	5 $\frac{1}{4}$
14 x 14	YM-1414-1		YM-1414-1A		1	12 $\frac{3}{4}$	12 $\frac{3}{4}$	12	12
		YM-1414-2		YM-1414-2A		12	12	11 $\frac{1}{4}$	11 $\frac{1}{4}$
16 x 8	YM-1608-1		YM-1608-1A		1	14 $\frac{3}{4}$	6 $\frac{3}{4}$	14	6
		YM-1608-2		YM-1608-2A		12	6	11 $\frac{1}{4}$	5 $\frac{1}{4}$
16 x 12	YM-1612-1		YM-1612-1A		1	14 $\frac{3}{4}$	10 $\frac{3}{4}$	14	10
		YM-1612-2		YM-1612-2A		14	10	13 $\frac{1}{4}$	9 $\frac{1}{4}$
16 x 16	YM-1616-1		YM-1616-1A		1	14 $\frac{3}{4}$	14 $\frac{3}{4}$	14	14
		YM-1616-2		YM-1616-2A		14	14	13 $\frac{1}{4}$	13 $\frac{1}{4}$
18 x 8	YM-1808-1		YM-1808-1A		1	16 $\frac{3}{4}$	6 $\frac{3}{4}$	16	6
		YM-1808-2		YM-1808-2A		16	6	15 $\frac{1}{4}$	5 $\frac{1}{4}$
18 x 10	YM-1810-1		YM-1810-1A		1	16 $\frac{3}{4}$	8 $\frac{3}{4}$	16	8
		YM-1810-2		YM-1818-2A		16	8	15 $\frac{1}{4}$	7 $\frac{1}{4}$
18 x 12	YM-1812-1		YM-1812-1A		1	16 $\frac{3}{4}$	10 $\frac{3}{4}$	16	10
		YM-1812-2		YM-1812-2A		16	10	15 $\frac{1}{4}$	9 $\frac{1}{4}$
18 x 14	YM-1814-1		YM-1814-1A		1	16 $\frac{3}{4}$	12 $\frac{3}{4}$	16	12
		YM-1814-2		YM-1814-2A		16	12	15 $\frac{1}{4}$	11 $\frac{1}{4}$
18 x 16	--		--		1	--	--	--	--
		YM-1816-2		YM-1816-2A		16	14	15 $\frac{1}{4}$	13 $\frac{1}{4}$
18 x 18	YM-1818-1		YM-1818-1A		1	16 $\frac{3}{4}$	16 $\frac{3}{4}$	16	16
		YM-1818-2		YM-1818-2A		16	16	15 $\frac{1}{4}$	15 $\frac{1}{4}$
20 x 10	YM-2010-1		YM-2010-1A		1	18 $\frac{3}{4}$	8 $\frac{3}{4}$	18	8
		YM-2020-2		YM-2020-2A		18	8	17 $\frac{1}{4}$	7 $\frac{1}{4}$

† Refer to Catalog Section V for YE and YG Junction Boxes.

Mounting Plates

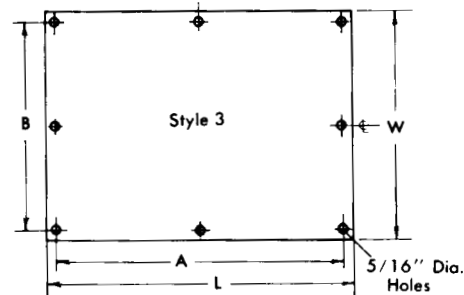
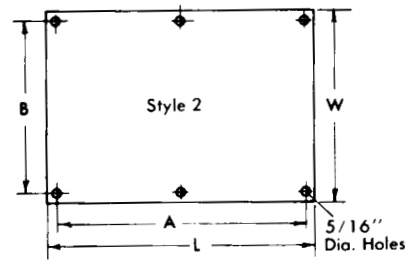
For Cast Iron & Cast Aluminum Boxes

Mounting plates are used for mounting equipment up off the back of an enclosure. Steel Plates are all 1/8" thick hot dip galvanized material. Aluminum plates are 1/8" thick material up to and including 12" x 12" size. All larger sizes are constructed of 3/16" thick aluminum plate.

Select mounting plates based on inside length and width of box. Order as a separate item immediately following the Catalog Number of the box as follows:

Example: YS-080804
 YM-0808-2

THE CATALOG NUMBER SHOWN IN THE TABLE BELOW INCLUDES THE MOUNTING BUTTONS AND THE COST OF MOUNTING THE PLATE IN THE BOX.



Inside Length & Width of Junction Box in Inches	Catalog Number - Steel Plates		Catalog Number - Aluminum Plates		Dimension in Inches				
	For use in YF, YR, YE & YG Junction Boxes†	For use in YS, YL & YW Junction Boxes	For use in YF, YR, YE & YG Junction Boxes†	For use in YS, YL & YW Junction Boxes	Style	L	W	A	B
24 x 12	YM-2412-1	YM-2412-1	YM-2412-1A	YM-2412-1A	2	21¾	9¾	21	9
24 x 18	YM-2418-1	YM-2418-1	YM-2418-1A	YM-2418-1A	2	21¾	15¾	21	15
24 x 24	YM-2424-1	YM-2424-1	YM-2424-1A	YM-2424-1A	3	21¾	21¾	21	21
28 x 12	YM-2812-1	YM-2812-1	YM-2812-1A	YM-2812-1A	2	25¾	9¾	25	9
30 x 12	YM-3012-1	YM-3012-1	YM-3012-1A	YM-3012-1A	2	27¾	9¾	27	9
30 x 18	YM-3018-1	YM-3018-1	YM-3018-1A	YM-3018-1A	2	27¾	15¾	27	15
30 x 24	YM-3024-1	YM-3024-1	YM-3024-1A	YM-3024-1A	3	27¾	21¾	27	21
36 x 12	YM-3612-1	YM-3612-1	YM-3612-1A	YM-3612-1A	2	33¾	9¾	33	9
36 x 18	YM-3618-1	YM-3618-1	YM-3618-1A	YM-3618-1A	2	33¾	15¾	33	15
36 x 24	YM-3624-1	YM-3624-1	YM-3624-1A	YM-3624-1A	3	33¾	21¾	33	21
36 x 30	YM-3630-1	YM-3630-1	YM-3630-1A	YM-3630-1A	3	33¾	27¾	33	27
36 x 36	YM-3636-1	YM-3636-1	YM-3636-1A	YM-3636-1A	3	33¾	33¾	33	33

See page UA8 for smaller mounting plates.
 † Refer to Catalog Section V for YE and YG Junction Boxes.

Mounting Lug Data

For Cast Iron & Cast Aluminum Boxes

Types YS, YL, YW, YU, YW-T
Refer to Fig. 1

Types YS, YL, YW, YU, YW-T
Refer to Fig. 1

Types YF, YR
Refer to Fig. 1

Box Size in Inches L x W	Dimension in Inches		Bolt Hole Dia. in Inches D
	A	B	
4 x 4	3	5 $\frac{5}{8}$	$\frac{5}{16}$
5 x 5	4	6 $\frac{1}{2}$	$\frac{5}{16}$
6 x 4	5	5 $\frac{5}{8}$	$\frac{5}{16}$
6 x 6	4	7 $\frac{5}{8}$	$\frac{3}{8}$
7 x 5	5	6 $\frac{1}{2}$	$\frac{3}{8}$
8 x 4	5	5 $\frac{5}{8}$	$\frac{3}{8}$
8 x 6	5	7 $\frac{5}{8}$	$\frac{3}{8}$
8 x 8	5	9 $\frac{1}{4}$	$\frac{3}{8}$
9 x 6	6	7 $\frac{5}{8}$	$\frac{3}{8}$
10 x 4	7	5 $\frac{5}{8}$	$\frac{3}{8}$
10 x 5	7	6 $\frac{5}{8}$	$\frac{3}{8}$
10 x 6	7	7 $\frac{3}{4}$	$\frac{3}{8}$
10 x 8	7	9 $\frac{1}{4}$	$\frac{3}{8}$
10 x 10	7	11 $\frac{1}{4}$	$\frac{3}{8}$
12 x 4	8	5 $\frac{5}{8}$	$\frac{3}{8}$
12 x 6	8	8 $\frac{1}{2}$	$\frac{7}{16}$
12 x 8	8	10 $\frac{1}{2}$	$\frac{7}{16}$
12 x 10	8	12 $\frac{1}{2}$	$\frac{7}{16}$
12 x 12	8	14 $\frac{1}{2}$	$\frac{7}{16}$
14 x 8	10	10 $\frac{1}{2}$	$\frac{7}{16}$
14 x 10	10	12 $\frac{1}{2}$	$\frac{7}{16}$
14 x 14	10	16 $\frac{1}{2}$	$\frac{7}{16}$
15 x 6	11	8 $\frac{5}{8}$	$\frac{7}{16}$
15 x 8	11	10 $\frac{5}{8}$	$\frac{7}{16}$
15 x 9	11	11 $\frac{1}{2}$	$\frac{7}{16}$
15 x 10	11	12 $\frac{1}{2}$	$\frac{7}{16}$
16 x 4	12	6 $\frac{1}{2}$	$\frac{7}{16}$
16 x 10	12	12 $\frac{1}{2}$	$\frac{7}{16}$

Box Size in Inches L x W	Dimension in Inches		Bolt Hole Dia. in Inches D
	A	B	
16 x 12	12	14 $\frac{1}{2}$	$\frac{7}{16}$
16 x 16	12	18 $\frac{1}{2}$	$\frac{7}{16}$
18 x 6	13	8 $\frac{1}{2}$	$\frac{7}{16}$
18 x 8	13	10 $\frac{1}{2}$	$\frac{7}{16}$
18 x 12	13	14 $\frac{1}{2}$	$\frac{7}{16}$
18 x 14	13	16 $\frac{5}{8}$	$\frac{7}{16}$
18 x 16	13	18 $\frac{5}{8}$	$\frac{7}{16}$
18 x 18	13	20 $\frac{5}{8}$	$\frac{7}{16}$
20 x 10	15	12 $\frac{5}{8}$	$\frac{9}{16}$
20 x 20	15	22 $\frac{5}{8}$	$\frac{9}{16}$
24 x 8	19	10 $\frac{3}{4}$	$\frac{9}{32}$
24 x 12	19	14 $\frac{3}{4}$	$\frac{9}{32}$
24 x 16	19	18 $\frac{3}{4}$	$\frac{9}{32}$
24 x 18	19	20 $\frac{3}{4}$	$\frac{9}{32}$
24 x 20	19	22 $\frac{3}{4}$	$\frac{9}{16}$
24 x 24	19	26 $\frac{5}{8}$	$\frac{9}{16}$
28 x 12	22	14 $\frac{3}{8}$	$\frac{9}{16}$
30 x 8	24	10 $\frac{3}{4}$	$\frac{9}{16}$
30 x 18	24	21	$\frac{9}{16}$
30 x 24	24	14 $\frac{3}{8}$	$\frac{9}{16}$
34 x 30	28	32 $\frac{5}{8}$	$\frac{9}{16}$
36 x 6	30	8 $\frac{5}{8}$	$\frac{9}{16}$
36 x 12	30	14 $\frac{5}{8}$	$\frac{9}{16}$
36 x 18	30	21	$\frac{9}{16}$
36 x 24	30	26 $\frac{5}{8}$	$\frac{9}{16}$
36 x 30	30	32 $\frac{5}{8}$	$\frac{9}{16}$
36 x 36	30	38 $\frac{5}{8}$	$\frac{9}{16}$
48 x 6	42	8 $\frac{5}{8}$	$\frac{9}{16}$

Box Size in Inches L x W	Dimension in Inches		Bolt Hole Dia. in Inches D
	A	B	
4 x 4	3	5 $\frac{5}{8}$	$\frac{5}{16}$
5 x 5	4	6 $\frac{5}{8}$	$\frac{5}{16}$
6 x 4	5	5 $\frac{5}{8}$	$\frac{5}{16}$
6 x 6	4	7 $\frac{1}{2}$	$\frac{3}{8}$
8 x 4	5	5 $\frac{1}{2}$	$\frac{3}{8}$
8 x 6	5	7 $\frac{5}{8}$	$\frac{3}{8}$
8 x 8	5	9 $\frac{5}{8}$	$\frac{3}{8}$
10 x 6	7	7 $\frac{5}{8}$	$\frac{3}{8}$
10 x 8	7	9 $\frac{5}{8}$	$\frac{3}{8}$
10 x 10	7	11 $\frac{5}{8}$	$\frac{3}{8}$
12 x 4	8	5 $\frac{5}{8}$	$\frac{3}{8}$
12 x 6	8	8 $\frac{5}{8}$	$\frac{7}{16}$
12 x 8	8	10 $\frac{5}{8}$	$\frac{7}{16}$
12 x 10	8	12 $\frac{5}{8}$	$\frac{7}{16}$
12 x 12	8	14 $\frac{5}{8}$	$\frac{7}{16}$
14 x 8	10	10 $\frac{5}{8}$	$\frac{7}{16}$
14 x 14	10	16 $\frac{1}{2}$	$\frac{7}{16}$
16 x 12	12	14 $\frac{5}{8}$	$\frac{7}{16}$
16 x 16	12	18 $\frac{1}{2}$	$\frac{7}{16}$
18 x 6	13	8 $\frac{1}{2}$	$\frac{7}{16}$
18 x 8	13	10 $\frac{5}{8}$	$\frac{7}{16}$
18 x 12	13	14 $\frac{5}{8}$	$\frac{7}{16}$
18 x 18	13	20 $\frac{5}{8}$	$\frac{9}{16}$
24 x 12	19	14 $\frac{5}{8}$	$\frac{9}{16}$
24 x 18	19	20 $\frac{5}{8}$	$\frac{9}{16}$
24 x 24	19	26 $\frac{5}{8}$	$\frac{9}{16}$
28 x 12	22	14 $\frac{3}{4}$	$\frac{9}{16}$
30 x 24	24	26 $\frac{5}{8}$	$\frac{9}{16}$
36 x 18	30	20 $\frac{5}{8}$	$\frac{9}{16}$
36 x 24	30	26 $\frac{5}{8}$	$\frac{9}{16}$
36 x 36	30	38 $\frac{5}{8}$	$\frac{9}{16}$

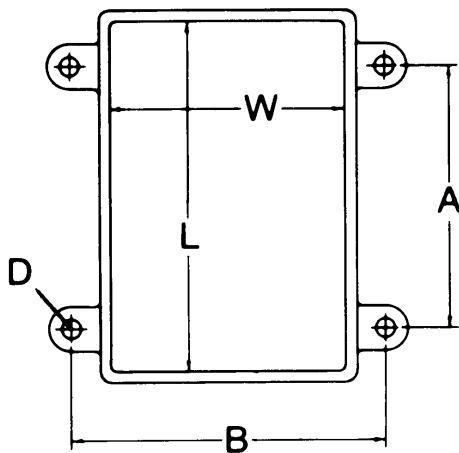


Fig. 1

The dimensions listed in these tables are approximate and may vary as much as $\frac{1}{8}$ " in any direction. If closer tolerances are required or if other locations of the mounting lugs are desired, specify on the order or drawing.

Drilling Template for Junction Boxes

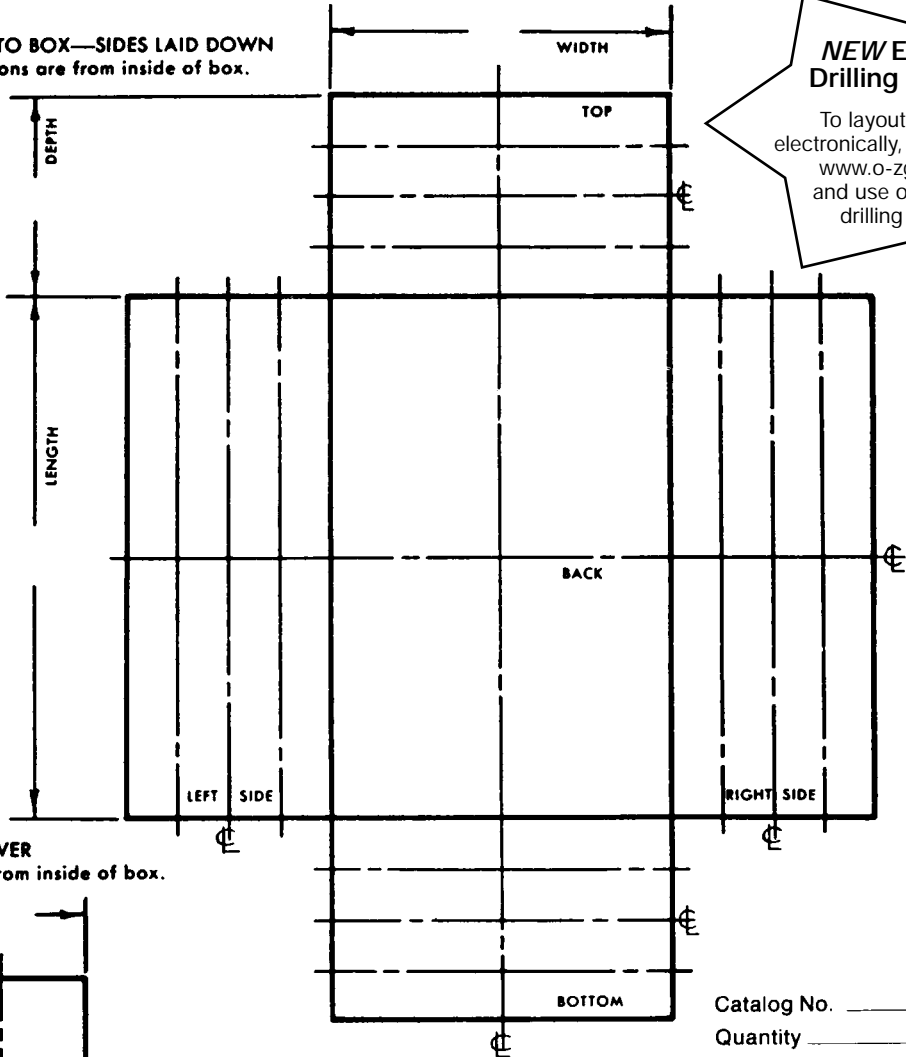
FOR COPIER REPRODUCTION OR COMPUTER SCANNING. PLEASE SEND TO YOUR LOCAL REPRESENTATIVE FOR QUOTATION OR ORDER CONFIRMATION.

Distributor _____ P.O. No. _____

End User _____ Date _____

Req. No. _____ Mark Box _____

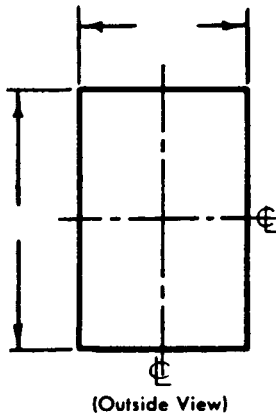
LOOKING INTO BOX—SIDES LAID DOWN
All dimensions are from inside of box.



NEW Electronic Drilling Template!

To layout your boxes electronically, visit our website www.o-zgedney.com and use our electronic drilling template.

COVER
Dimensions are from inside of box.



Gasket

Standard (Neoprene)

Other _____

Drilling Data

NOTE: If location of openings are not definitely dimensioned, they will be located at our discretion.

- Slip-hole Only
- Drilled and Tapped
- Drilled and Tapped with Boss
- Boss Only

Catalog No. _____

Quantity _____

Material: Cast Iron — H. D. G

Cast Aluminum —

Mounting Lugs

NOTE: Mounting Lugs are provided on all surface-mount boxes over 100 cubic inches internal volume. See Page UA4 and box catalog page.

Req'd Not Req'd

Standard Spacing - See Page UA10

Special Spacing - Locate on template

ADDITIONAL SPECIFICATIONS _____

Dwg. No. _____

COMPANY/LOCATION _____

SIGNATURE _____

PRINT NAME _____

Unflanged Junction or Pull Boxes

Cast Iron Box For Surface Mounting - NEMA 4

Type YS

Raintight - Watertight - Dust Tight


Use:

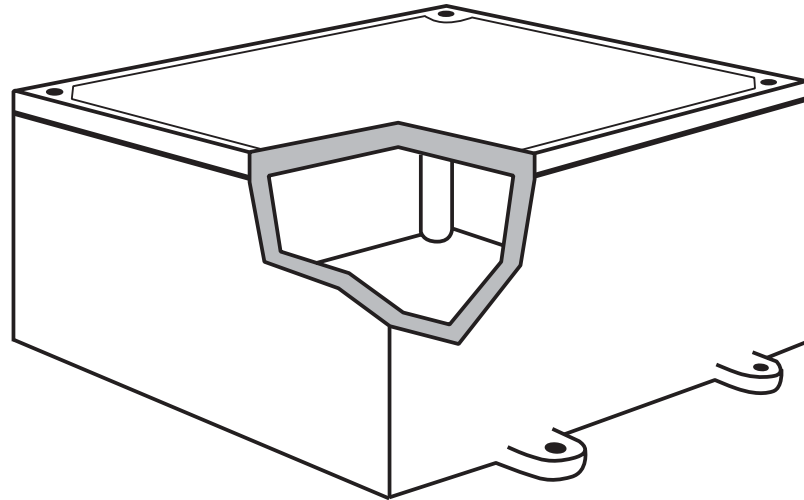
These boxes are general purpose enclosures listed by Underwriters Laboratories, Inc. as Type 4. They are suitable for use indoors or outdoors, or where they would be subjected to rain, dripping or splashing of water, and hose directed water.

Standard Construction:

- Cast iron box and cover
- Hot dip galvanized finish
- Neoprene gasket
- Stainless steel cover screws
- Mounting Lugs (see notes)

Third Party Certification:

 UL Listed: Type 4 Raintight
E-18095 and E-24824



Applicable Third Party Standards:

UL Standard: 514A, 50
NEMA 250-1997 Type 4

Notes:

- Mounting Lugs are standard on boxes over 100 cubic inches internal volume, and optional on boxes 100 cubic inches or less. See Pages UA4 and UA7 for additional information and ordering instructions.
- Type YS boxes have a post in each corner and allowances must be made for them when conduit entrances are to be located close to a corner. See "Recommended Location and Spacing of Conduits" on Page UA5.
- The listing of all Type YS boxes larger than 18" x 18" are now included with the Type YL boxes shown on Pages UA14 and UA15.
- See Page UA3 for additional NEMA data.
- See Pages UA4-UA9 for ordering instructions and additional cost items.
- See Page UA10 for mounting lug dimensions, if applicable.
- See Page UA11 for blank Drilling Template, to lay out conduit entries and optional features.

Cast Iron

Catalog Number	Aprox. Wall Thick.*	Inside Dim. (inches) L x W x D
YS-040402†	3/32	4 x 4 x 2
YS-040403†	3/16	4 x 4 x 3
YS-040404†	3/16	4 x 4 x 4
YS-050503†	3/16	5 x 5 x 3
YS-050504†	3/16	5 x 5 x 4
YS-060403†	3/16	6 x 4 x 3
YS-060404†	3/16	6 x 4 x 4
YS-060602†	3/16	6 x 6 x 2
YS-060603	3/16	6 x 6 x 3
YS-060604	3/16	6 x 6 x 4
YS-060605	1/2	6 x 6 x 5
YS-060606	1/4	6 x 6 x 6
YS-060610	3/32	6 x 6 x 9 1/2
YS-070503	3/16	7 x 5 x 3
YS-080403†	3/16	8 x 4 x 3
YS-080404	3/32	8 x 4 x 4
YS-080603	3/16	8 x 6 x 3
YS-080604	1/32	8 x 6 x 4
YS-080605	3/32	8 x 6 x 5
YS-080606	1/4	8 x 6 x 6
YS-080803	3/16	8 x 8 x 3
YS-080804	1/32	8 x 8 x 4
YS-080805	1/32	8 x 8 x 5
YS-080806	1/4	8 x 8 x 6
YS-080808	3/16	8 x 8 x 8
YS-090603	3/16	9 x 6 x 3
YS-090604	3/32	9 x 6 x 4
YS-100403	3/16	10 x 4 x 3
YS-100406	1/4	10 x 4 x 6
YS-100504	1/32	10 x 5 x 4
YS-100604	1/32	10 x 6 x 4
YS-100605	1/4	10 x 6 x 5
YS-100606	3/32	10 x 6 x 6
YS-100804	1/32	10 x 8 x 4
YS-100805	1/4	10 x 8 x 5
YS-100806	3/32	10 x 8 x 6

Cast Iron

Catalog Number	Aprox. Wall Thick.*	Inside Dim. (inches) L x W x D
YS-100808	3/16	10 x 8 x 8
YS-100810	1/32	10 x 8 x 9 1/2
YS-101003	3/16	10 x 10 x 3
YS-101004	1/32	10 x 10 x 4
YS-101005	1/4	10 x 10 x 5
YS-101006	1/4	10 x 10 x 6
YS-120404	1/32	12 x 4 x 4
YS-120406	3/32	12 x 4 x 6
YS-120603	3/16	12 x 6 x 3
YS-120604	1/32	12 x 6 x 4
YS-120606	3/32	12 x 6 x 6
YS-120804	1/32	12 x 8 x 4
YS-120806	3/32	12 x 8 x 6
YS-120808	3/16	12 x 8 x 8
YS-121004	1/4	12 x 10 x 4
YS-121005	1/4	12 x 10 x 5
YS-121006	1/32	12 x 10 x 6
YS-121008	3/16	12 x 10 x 8
YS-121203	3/16	12 x 12 x 3
YS-121204	1/4	12 x 12 x 4
YS-121206	3/32	12 x 12 x 6
YS-121208	3/16	12 x 12 x 8
YS-121210	1/32	12 x 12 x 10
YS-121212	3/8	12 x 12 x 12
YS-140804	1/4	14 x 8 x 4
YS-140806	3/32	14 x 8 x 6
YS-141006	3/32	14 x 10 x 6
YS-141008	3/16	14 x 10 x 8
YS-141406	3/32	14 x 14 x 6
YS-141408	3/16	14 x 14 x 8
YS-141410	1/32	14 x 14 x 10
YS-150604	1/4	15 x 6 x 4
YS-150808	3/16	15 x 8 x 8
YS-150904	1/4	15 x 9 x 4
YS-150906	3/32	15 x 9 x 6
YS-151006	3/32	15 x 10 x 6

Cast Iron

Catalog Number	Aprox. Wall Thick.*	Inside Dim. (inches) L x W x D
YS-160404	1/32	16 x 4 x 4
YS-161006	3/32	16 x 10 x 6
YS-161008	3/16	16 x 10 x 8
YS-161204	1/4	16 x 12 x 4
YS-161206	3/32	16 x 12 x 6
YS-161208	3/16	16 x 12 x 8
YS-161606	3/32	16 x 16 x 6
YS-161612	1/32	16 x 16 x 12
YS-161616	1/32	16 x 16 x 16
YS-180604	1/4	18 x 6 x 4
YS-180606	3/32	18 x 6 x 6
YS-180806	3/32	18 x 8 x 6
YS-180808	3/16	18 x 8 x 8
YS-181204	1/4	18 x 12 x 4
YS-181206	3/32	18 x 12 x 6
YS-181208	3/16	18 x 12 x 8
YS-181210	3/8	18 x 12 x 10
YS-181212	7/16	18 x 12 x 12
YS-181406	3/32	18 x 14 x 6
YS-181408	3/16	18 x 14 x 8
YS-181606	3/32	18 x 16 x 6
YS-181608	3/16	18 x 16 x 8
YS-181804	3/16	18 x 18 x 4
YS-181806	3/16	18 x 18 x 6
YS-181808	1/32	18 x 18 x 8
YS-181810	3/8	18 x 18 x 10
YS-181812	7/16	18 x 18 x 12
YS-181818	7/16	18 x 18 x 18

*Measured 2" up from back of box.
† Mounting Lugs are optional.

Unflanged Junction or Pull Boxes

Cast Aluminum Box For Surface Mounting - NEMA 4

Type YS-A

Raintight - Watertight - Dust Tight

Use:

These boxes are general purpose enclosures listed by Underwriters Laboratories, Inc. as Type 4. They are suitable for use indoors or outdoors, or where they would be subjected to rain, dripping or splashing of water, and hose directed water.

Standard Construction:

- Cast aluminum box and cover
- Neoprene gasket
- Stainless steel cover screws
- Mounting Lugs (see notes)

Third Party Certification:



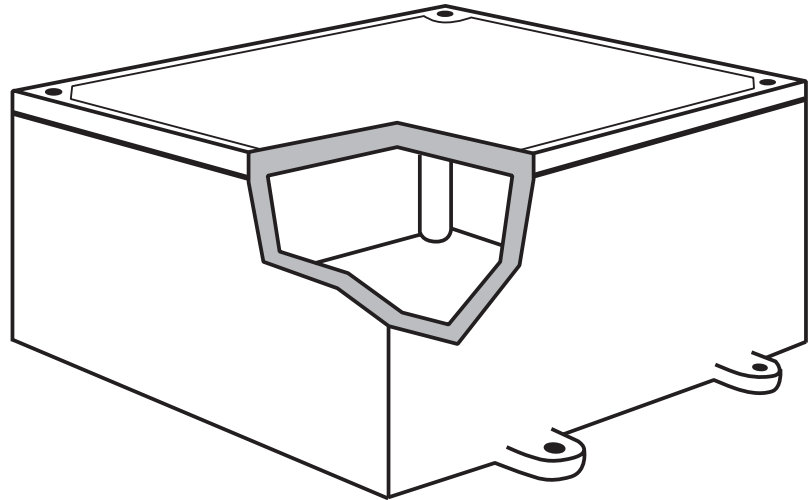
UL Listed: Type 4 Raintight E-18095 and E-24824

Applicable Third Party Standards:

UL Standard: 514A, 50
NEMA 250-1997 Type 4

Notes:

- Mounting Lugs are standard on boxes over 100 cubic inches internal volume, and optional on boxes 100 cubic inches or less. See Pages UA4 and UA7 for additional information and ordering instructions.
- Type YS-A boxes have a post in each corner and allowances must be made for them when conduit entrances are to be located close to a corner. See "Recommended Location and Spacing of Conduits" on Page UA5.
- The listing of all Type YS boxes larger than 18" x 18" are now included with the Type YL boxes shown on Pages UA14 and UA15.
- See Page UA3 for additional NEMA data.
- See Pages UA4-UA9 for ordering instructions and additional cost items.
- See Page UA10 for mounting lug dimensions, if applicable.
- See Page UA11 for blank Drilling Template, to lay out conduit entries and optional features.
- Aluminum enclosures with stainless steel hardware may be ordered with optional polyester powder coating to meet Type 4X corrosion protection, add suffix -NX. Contact your local representative for price and availability.



Cast Aluminum

Catalog Number	Aprox. Wall Thick.*	Inside Dim. (inches) L x W x D
YS-040402A†	3/32	4 x 4 x 2
YS-040403A†	3/16	4 x 4 x 3
YS-040404A†	3/16	4 x 4 x 4
YS-050503A†	3/16	5 x 5 x 3
YS-050504A†	3/16	5 x 5 x 4
YS-060403A†	3/16	6 x 4 x 3
YS-060404A†	3/16	6 x 4 x 4
YS-060602A†	3/16	6 x 6 x 2
YS-060603A	3/16	6 x 6 x 3
YS-060604A	3/16	6 x 6 x 4
YS-060605A	3/32	6 x 6 x 5
YS-060606A	1/4	6 x 6 x 6
YS-060610A	3/32	6 x 6 x 9 1/2
YS-070503A	3/16	7 x 5 x 3
YS-080403A†	3/16	8 x 4 x 3
YS-080404A	3/32	8 x 4 x 4
YS-080603A	3/16	8 x 6 x 3
YS-080604A	1/32	8 x 6 x 4
YS-080605A	3/32	8 x 6 x 5
YS-080606A	1/4	8 x 6 x 6
YS-080803A	3/16	8 x 8 x 3
YS-080804A	3/32	8 x 8 x 4
YS-080805A	3/32	8 x 8 x 5
YS-080806A	1/4	8 x 8 x 6
YS-080808A	3/16	8 x 8 x 8
YS-090603A	3/16	9 x 6 x 3
YS-090604A	3/32	9 x 6 x 4
YS-100403A	3/16	10 x 4 x 3
YS-100406A	1/4	10 x 4 x 6
YS-100504A	3/32	10 x 5 x 4
YS-100604A	1/32	10 x 6 x 4
YS-100605A	1/4	10 x 6 x 5
YS-100606A	3/32	10 x 6 x 6
YS-100804A	3/32	10 x 8 x 4
YS-100805A	1/4	10 x 8 x 5
YS-100806A	3/32	10 x 8 x 6

Cast Aluminum

Catalog Number	Aprox. Wall Thick.*	Inside Dim. (inches) L x W x D
YS-100808A	3/16	10 x 8 x 8
YS-100810A	1/32	10 x 8 x 9 1/2
YS-101003A	3/16	10 x 10 x 3
YS-101004A	3/32	10 x 10 x 4
YS-101005A	1/4	10 x 10 x 5
YS-101006A	1/4	10 x 10 x 6
YS-120404A	3/32	12 x 4 x 4
YS-120406A	3/32	12 x 4 x 6
YS-120603A	3/16	12 x 6 x 3
YS-120604A	3/32	12 x 6 x 4
YS-120606A	3/32	12 x 6 x 6
YS-120804A	3/32	12 x 8 x 4
YS-120806A	3/32	12 x 8 x 6
YS-120808A	3/16	12 x 8 x 8
YS-121004A	1/4	12 x 10 x 4
YS-121005A	1/4	12 x 10 x 5
YS-121006A	1/32	12 x 10 x 6
YS-121008A	3/16	12 x 10 x 8
YS-121203A	3/16	12 x 12 x 3
YS-121204A	1/4	12 x 12 x 4
YS-121206A	3/32	12 x 12 x 6
YS-121208A	3/16	12 x 12 x 8
YS-121210A	1/32	12 x 12 x 10
YS-121212A	3/8	12 x 12 x 12
YS-140804A	1/4	14 x 8 x 4
YS-140806A	3/32	14 x 8 x 6
YS-141006A	3/32	14 x 10 x 6
YS-141008A	3/16	14 x 10 x 8
YS-141406A	3/32	14 x 14 x 6
YS-141408A	3/16	14 x 14 x 8
YS-141410A	1/32	14 x 14 x 10
YS-150604A	1/4	15 x 6 x 4
YS-150808A	3/16	15 x 8 x 8
YS-150904A	1/4	15 x 9 x 4
YS-150906A	3/32	15 x 9 x 6
YS-151006A	3/32	15 x 10 x 6

Cast Aluminum

Catalog Number	Aprox. Wall Thick.*	Inside Dim. (inches) L x W x D
YS-160404A	3/32	16 x 4 x 4
YS-161006A	3/32	16 x 10 x 6
YS-161008A	3/16	16 x 10 x 8
YS-161204A	1/4	16 x 12 x 4
YS-161206A	3/32	16 x 12 x 6
YS-161208A	3/16	16 x 12 x 8
YS-161606A	3/32	16 x 16 x 6
YS-161612A	1/32	16 x 16 x 12
YS-161616A	1/32	16 x 16 x 16
YS-180604A	1/4	18 x 6 x 4
YS-180606A	3/32	18 x 6 x 6
YS-180806A	3/32	18 x 8 x 6
YS-180808A	3/16	18 x 8 x 8
YS-181204A	1/4	18 x 12 x 4
YS-181206A	3/32	18 x 12 x 6
YS-181208A	3/16	18 x 12 x 8
YS-181210A	3/8	18 x 12 x 10
YS-181212A	7/16	18 x 12 x 12
YS-181406A	3/32	18 x 14 x 6
YS-181408A	3/16	18 x 14 x 8
YS-181606A	3/32	18 x 16 x 6
YS-181608A	3/16	18 x 16 x 8
YS-181804A	3/16	18 x 18 x 4
YS-181806A	3/16	18 x 18 x 6
YS-181808A	1/32	18 x 18 x 8
YS-181810A	3/8	18 x 18 x 10
YS-181812A	7/16	18 x 18 x 12
YS-181818A	7/16	18 x 18 x 18

*Measured 2" up from back of box.
† Mounting Lugs are optional.

Overlapping Cover Boxes

Cast Iron Box & Cover - NEMA 4

Type YL

Watertight - Raintight - Dust Tight

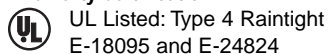
Use:

These overlapping cover boxes are listed by Underwriters Laboratories, Inc. as Type 4. They are suitable for use indoors or outdoors, or where they would be subjected to rain, dripping or splashing of water, and hose directed water.

Standard Construction:

- Cast iron box and cover
- Hot dip galvanized finish
- Neoprene gasket
- Stainless steel cover screws
- Mounting Lugs (see notes)

Third Party Certification:

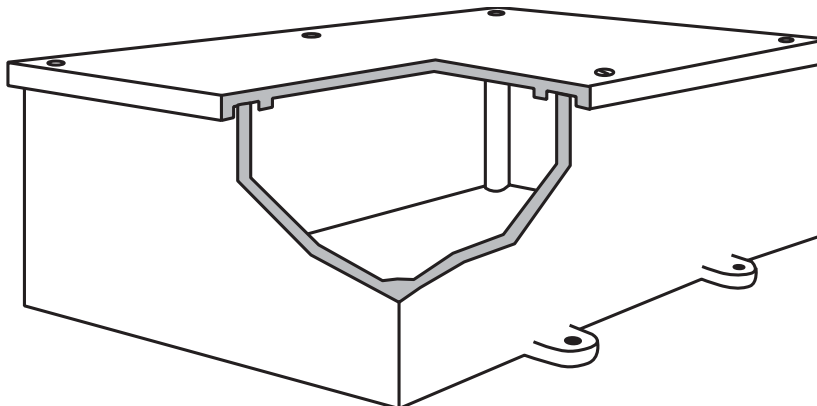


Applicable Third Party Standards:

UL Standard: 514A, 50
NEMA 250-1997 Type 4

Notes:

- Mounting Lugs are standard on boxes over 100 cubic inches internal volume, and optional on boxes 100 cubic inches or less. See Pages UA4 and UA7 for additional information and ordering instructions.
- Type YL boxes have a post in each corner and allowances must be made for them when conduit entrances are to be located close to a corner. See "Recommended Location and Spacing of Conduits" on Page UA5.
- See Page UA3 for additional NEMA data.
- See Pages UA4-UA9 for ordering instructions and additional cost items.
- See Page UA10 for mounting lug dimensions, if applicable.
- See Page UA11 for blank Drilling Template, to lay out conduit entries and optional features.



Cast Iron

Catalog Number	Aprox. Wall Thick.*	Inside Dim. (inches) L x W x D
YL-040403†	3/16	4 x 4 x 3
YL-040404†	3/16	4 x 4 x 4
YL-050503†	3/16	5 x 5 x 3
YL-050504†	3/16	5 x 5 x 4
YL-060403†	3/16	6 x 4 x 3
YL-060404†	3/16	6 x 4 x 4
YL-060603	3/16	6 x 6 x 3
YL-060604	3/16	6 x 6 x 4
YL-060605	3/32	6 x 6 x 5
YL-060606	1/4	6 x 6 x 6
YL-060610	3/32	6 x 6 x 9 1/2
YL-080403†	3/16	8 x 4 x 3
YL-080404	3/32	8 x 4 x 4
YL-080603	3/16	8 x 6 x 3
YL-080604	3/32	8 x 6 x 4
YL-080605	3/32	8 x 6 x 5
YL-080606	1/4	8 x 6 x 6
YL-080803	3/16	8 x 8 x 3
YL-080804	3/32	8 x 8 x 4
YL-080805	3/32	8 x 8 x 5
YL-080806	1/4	8 x 8 x 6
YL-080808	3/16	8 x 8 x 8
YL-090603	3/16	9 x 6 x 3
YL-090604	3/32	9 x 6 x 4
YL-100604	3/32	10 x 6 x 4
YL-100605	1/4	10 x 6 x 5
YL-100606	3/32	10 x 6 x 6
YL-100804	3/32	10 x 8 x 4
YL-100805	1/4	10 x 8 x 5
YL-100806	3/32	10 x 8 x 6
YL-100808	3/16	10 x 8 x 8
YL-100810	1 1/32	10 x 8 x 9 1/2
YL-101003	3/16	10 x 10 x 3
YL-101004	3/32	10 x 10 x 4
YL-101005	1/4	10 x 10 x 5
YL-101006	1/4	10 x 10 x 6
YL-120603	3/16	12 x 6 x 3
YL-120604	3/32	12 x 6 x 4
YL-120606	3/32	12 x 6 x 6
YL-120804	3/32	12 x 8 x 4
YL-120806	3/32	12 x 8 x 6
YL-120808	3/16	12 x 8 x 8

Cast Iron

Catalog Number	Aprox. Wall Thick.*	Inside Dim. (inches) L x W x D
YL-121004	1/4	12 x 10 x 4
YL-121005	1/4	12 x 10 x 5
YL-121006	3/32	12 x 10 x 6
YL-121008	3/16	12 x 10 x 8
YL-121203	3/16	12 x 12 x 3
YL-121204	1/4	12 x 12 x 4
YL-121206	3/32	12 x 12 x 6
YL-121208	3/16	12 x 12 x 8
YL-121210	1 1/32	12 x 12 x 10
YL-121212	3/8	12 x 12 x 12
YL-140804	1/4	14 x 8 x 4
YL-140806	3/32	14 x 8 x 6
YL-141006	3/32	14 x 10 x 6
YL-141008	3/16	14 x 10 x 8
YL-141406	3/32	14 x 14 x 6
YL-141408	3/16	14 x 14 x 8
YL-141410	1 1/32	14 x 14 x 10
YL-150604	1/4	15 x 6 x 4
YL-150808	3/16	15 x 8 x 8
YL-150904	1/4	15 x 9 x 4
YL-150906	3/32	15 x 9 x 6
YL-151006	3/32	15 x 10 x 6
YL-161006	3/32	16 x 10 x 6
YL-161008	3/16	16 x 10 x 8
YL-161204	1/4	16 x 12 x 4
YL-161206	3/32	16 x 12 x 6
YL-161208	3/16	16 x 12 x 8
YL-161606	3/32	16 x 16 x 6
YL-180604	1/4	18 x 6 x 4
YL-180606	3/32	18 x 6 x 6
YL-180806	3/32	18 x 8 x 6
YL-180808	3/16	18 x 8 x 8
YL-181204	1/4	18 x 12 x 4
YL-181206	3/32	18 x 12 x 6
YL-181208	3/16	18 x 12 x 8
YL-181210	3/8	18 x 12 x 10
YL-181212	3/16	18 x 12 x 12
YL-181406	3/32	18 x 14 x 6
YL-181408	3/16	18 x 14 x 8
YL-181606	3/32	18 x 16 x 6
YL-181608	3/16	18 x 16 x 8
YL-181806	3/16	18 x 18 x 6

Cast Iron

Catalog Number	Aprox. Wall Thick.*	Inside Dim. (inches) L x W x D
YL-181808	1 1/32	18 x 18 x 8
YL-181810	3/8	18 x 18 x 10
YL-181812	7/16	18 x 18 x 12
YL-201006	3/32	20 x 10 x 6
YL-201008	3/16	20 x 10 x 8
YL-202006	3/16	20 x 20 x 6
YL-240806	3/32	24 x 8 x 6
YL-240808	1 1/32	24 x 8 x 8
YL-241206	3/32	24 x 12 x 6
YL-241208	3/16	24 x 12 x 8
YL-241212	7/16	24 x 12 x 12
YL-241606	3/32	24 x 16 x 6
YL-241608	1 1/32	24 x 16 x 8
YL-241806	3/16	24 x 18 x 6
YL-241808	1 1/32	24 x 18 x 8
YL-241810	3/8	24 x 18 x 10
YL-241812	7/16	24 x 18 x 12
YL-242406	3/16	24 x 24 x 6
YL-242408	1 1/32	24 x 24 x 8
YL-242410	3/8	24 x 24 x 10
YL-242412	7/16	24 x 24 x 12
YL-281206	3/16	28 x 12 x 6
YL-281208	3/8	28 x 12 x 8
YL-300806	3/32	30 x 8 x 6
YL-300808	1 1/32	30 x 8 x 8
YL-301808	1 1/32	30 x 18 x 8
YL-301812	7/16	30 x 18 x 12
YL-301814	1/2	30 x 18 x 14
YL-302406	1 1/32	30 x 24 x 6
YL-302408	3/8	30 x 24 x 8
YL-302412	7/16	30 x 24 x 12
YL-360606	3/32	36 x 6 x 6
YL-361208	7/16	36 x 12 x 8
YL-361212	1 1/32	36 x 12 x 12
YL-361808	7/16	36 x 18 x 8
YL-362408	1 1/32	36 x 24 x 8
YL-362412	7/16	36 x 24 x 12
YL-363608	3/8	36 x 36 x 8
YL-363612	7/16	36 x 36 x 12

*Measured 2" up from back of box.
† Mounting Lugs are optional.

Overlapping Cover Boxes

Cast Aluminum Box & Cover - NEMA 4

Type YL-A

Watertight - Raintight - Dust Tight

Use:

These overlapping cover boxes are listed by Underwriters Laboratories, Inc. as Type 4. They are suitable for use indoors or outdoors, or where they would be subjected to rain, dripping or splashing of water, and hose directed water.

Standard Construction:

- Cast aluminum box and cover
- Neoprene gasket
- Stainless steel cover screws
- Mounting Lugs (see notes)

Third Party Certification:



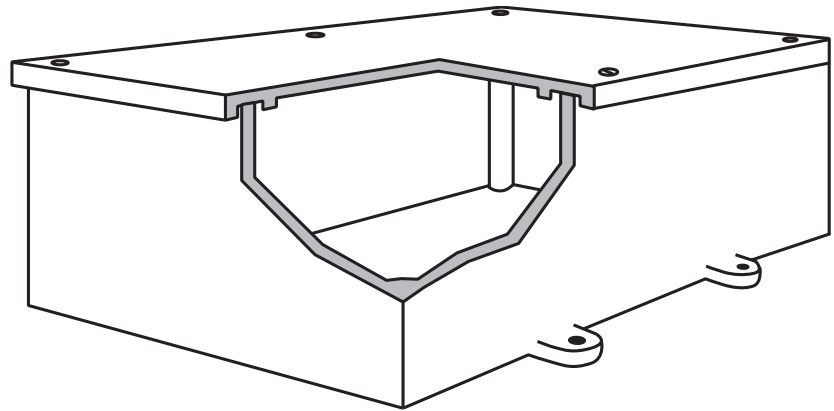
UL Listed: Type 4 Raintight E-18095 and E-24824

Applicable Third Party Standards:

UL Standard: 514A, 50
NEMA 250-1997 Type 4

Notes:

- Mounting Lugs are standard on boxes over 100 cubic inches internal volume, and optional on boxes 100 cubic inches or less. See Pages UA4 and UA7 for additional information and ordering instructions.
- Type YL boxes have a post in each corner and allowances must be made for them when conduit entrances are to be located close to a corner. See "Recommended Location and Spacing of Conduits" on Page UA5.
- See Page UA3 for additional NEMA data.
- See Pages UA4-UA9 for ordering instructions and additional cost items.
- See Page UA10 for mounting lug dimensions, if applicable.
- See Page UA11 for blank Drilling Template, to lay out conduit entries and optional features.
- Aluminum enclosures with stainless steel hardware may be ordered with optional polyester powder coating to meet Type 4X corrosion protection, add suffix -NX. Contact your local representative for price and availability.



Cast Aluminum

Catalog Number	Aprox. Wall Thick.*	Inside Dim. (inches) L x W x D
YL-040403A†	3/16	4 x 4 x 3
YL-040404A†	3/16	4 x 4 x 4
YL-050503A†	3/16	5 x 5 x 3
YL-050504A†	3/16	5 x 5 x 4
YL-060403A†	3/16	6 x 4 x 3
YL-060404A†	3/16	6 x 4 x 4
YL-060603A	3/16	6 x 6 x 3
YL-060604A	3/16	6 x 6 x 4
YL-060605A	7/32	6 x 6 x 5
YL-060606A	7/32	6 x 6 x 6
YL-060610A	7/32	6 x 6 x 9 1/2
YL-080403A†	3/16	8 x 4 x 3
YL-080404A	7/32	8 x 4 x 4
YL-080603A	3/16	8 x 6 x 3
YL-080604A	7/32	8 x 6 x 4
YL-080605A	7/32	8 x 6 x 5
YL-080606A	7/32	8 x 6 x 6
YL-080803A	3/16	8 x 8 x 3
YL-080804A	7/32	8 x 8 x 4
YL-080805A	7/32	8 x 8 x 5
YL-080806A	7/32	8 x 8 x 6
YL-080808A	3/16	8 x 8 x 8
YL-090603A	3/16	9 x 6 x 3
YL-090604A	7/32	9 x 6 x 4
YL-100604A	7/32	10 x 6 x 4
YL-100605A	7/32	10 x 6 x 5
YL-100606A	7/32	10 x 6 x 6
YL-100804A	7/32	10 x 8 x 4
YL-100805A	7/32	10 x 8 x 5
YL-100806A	7/32	10 x 8 x 6
YL-100808A	3/16	10 x 8 x 8
YL-100810A	1/2	10 x 8 x 9 1/2
YL-101003A	3/16	10 x 10 x 3
YL-101004A	7/32	10 x 10 x 4
YL-101005A	7/32	10 x 10 x 5
YL-101006A	7/32	10 x 10 x 6
YL-120603A	3/16	12 x 6 x 3
YL-120604A	7/32	12 x 6 x 4
YL-120606A	7/32	12 x 6 x 6
YL-120804A	7/32	12 x 8 x 4
YL-120806A	7/32	12 x 8 x 6
YL-120808A	3/16	12 x 8 x 8
YL-121004A	7/32	12 x 10 x 4
YL-121005A	7/32	12 x 10 x 5
YL-121006A	7/32	12 x 10 x 6

Cast Aluminum

Catalog Number	Aprox. Wall Thick.*	Inside Dim. (inches) L x W x D
YL-121006A	3/32	12 x 10 x 6
YL-121008A	3/16	12 x 10 x 8
YL-121203A	3/16	12 x 12 x 3
YL-121204A	1/4	12 x 12 x 4
YL-121206A	3/32	12 x 12 x 6
YL-121208A	3/16	12 x 12 x 8
YL-121210A	1/2	12 x 12 x 10
YL-121212A	3/8	12 x 12 x 12
YL-140804A	1/4	14 x 8 x 4
YL-140806A	3/32	14 x 8 x 6
YL-141006A	3/32	14 x 10 x 6
YL-141008A	3/16	14 x 10 x 8
YL-141406A	3/32	14 x 14 x 6
YL-141408A	3/16	14 x 14 x 8
YL-141410A	1/2	14 x 14 x 10
YL-150604A	1/4	15 x 6 x 4
YL-150808A	3/16	15 x 8 x 8
YL-150904A	1/4	15 x 9 x 4
YL-150906A	3/32	15 x 9 x 6
YL-151006A	3/32	15 x 10 x 6
YL-161006A	3/32	16 x 10 x 6
YL-161008A	3/16	16 x 10 x 8
YL-161204A	1/4	16 x 12 x 4
YL-161206A	3/32	16 x 12 x 6
YL-161208A	3/16	16 x 12 x 8
YL-161606A	3/32	16 x 16 x 6
YL-180604A	1/4	18 x 6 x 4
YL-180606A	3/32	18 x 6 x 6
YL-180806A	3/32	18 x 8 x 6
YL-180808A	3/16	18 x 8 x 8
YL-181204A	1/4	18 x 12 x 4
YL-181206A	3/32	18 x 12 x 6
YL-181208A	3/16	18 x 12 x 8
YL-181210A	3/8	18 x 12 x 10
YL-181212A	7/16	18 x 12 x 12
YL-181406A	3/32	18 x 14 x 6
YL-181408A	3/16	18 x 14 x 8
YL-181606A	3/32	18 x 16 x 6
YL-181608A	3/16	18 x 16 x 8
YL-181806A	3/16	18 x 18 x 6
YL-181808A	1/2	18 x 18 x 8
YL-181810A	3/8	18 x 18 x 10
YL-181812A	7/16	18 x 18 x 12
YL-201006A	3/32	20 x 10 x 6

Cast Aluminum

Catalog Number	Aprox. Wall Thick.*	Inside Dim. (inches) L x W x D
YL-201008A	3/16	20 x 10 x 8
YL-202006A	3/16	20 x 20 x 6
YL-240806A	3/32	24 x 8 x 6
YL-240808A	1/2	24 x 8 x 8
YL-241206A	3/32	24 x 12 x 6
YL-241208A	3/16	24 x 12 x 8
YL-241212A	1/2	24 x 12 x 12
YL-241606A	3/32	24 x 16 x 6
YL-241608A	1/2	24 x 16 x 8
YL-241806A	3/16	24 x 18 x 6
YL-241808A	1/2	24 x 18 x 8
YL-241810A	3/8	24 x 18 x 10
YL-241812A	7/16	24 x 18 x 12
YL-242406A	3/16	24 x 24 x 6
YL-242408A	1/2	24 x 24 x 8
YL-242410A	3/8	24 x 24 x 10
YL-242412A	7/16	24 x 24 x 12
YL-281206A	3/16	28 x 12 x 6
YL-281208A	3/8	28 x 12 x 8
YL-300806A	3/32	30 x 8 x 6
YL-300808A	1/2	30 x 8 x 8
YL-301808A	1/2	30 x 18 x 8
YL-301812A	7/16	30 x 18 x 12
YL-301814A	1/2	30 x 18 x 14
YL-302406A	1/2	30 x 24 x 6
YL-302408A	3/8	30 x 24 x 8
YL-302412A	7/16	30 x 24 x 12
YL-360606A	3/32	36 x 6 x 6
YL-361208A	7/16	36 x 12 x 8
YL-361212A	1/2	36 x 12 x 12
YL-361808A	7/16	36 x 18 x 8
YL-362408A	1/2	36 x 24 x 8
YL-362412A	7/16	36 x 24 x 12
YL-363608A	3/8	36 x 36 x 8
YL-363612A	7/16	36 x 36 x 12

*Measured 2" up from back of box.
† Mounting Lugs are optional.

Flat Flanged Boxes

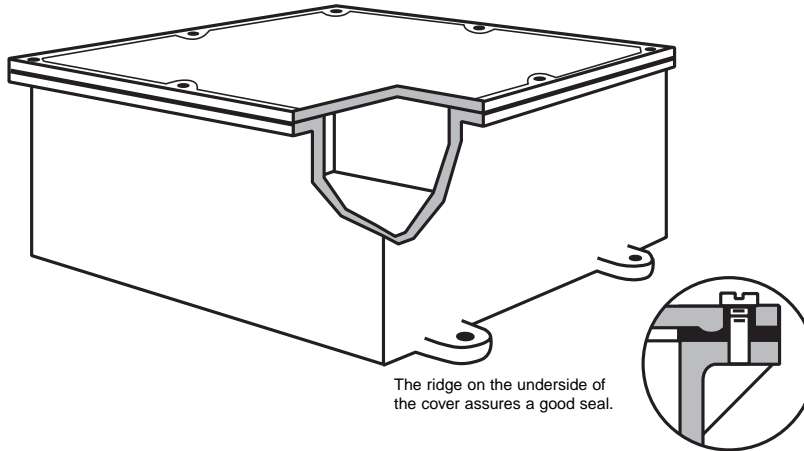
Cast Iron Box For Surface Mounting - NEMA 4, 6, 6P

Type YF - Submersible†

Watertight - Raintight - Dust Tight

Use:

These boxes have been listed by Underwriters' Laboratories, Inc. as a Type 4 enclosure. They are also suitable for use indoors or outdoors where they would be subjected to splashing water, see page of water, falling or hose directed water and severe external condensation. These boxes will withstand occasional submersion under a 6 foot head of water for 30 minutes (NEMA 6 requirements).




The ridge on the underside of the cover assures a good seal.

Standard Construction:

- Cast iron box and cover
- Hot dip galvanized finish
- Neoprene gasket
- Stainless steel cover screws
- Box flange ground before galvanizing
- Mounting Lugs (see notes)

Third Party Certification:

 UL Listed: Type 4 Watertight
E-18095 and E-24824

Applicable Third Party Standards:

UL Standard: 514A, 50
NEMA 250-1997 Type 4, 6, 6P

† Submersible Applications

- These boxes can be tested to withstand occasional submersion under a **6** foot head of water for 30 minutes (NEMA **6** requirements). Add suffix **-SUB6** to catalog number
- These boxes can be tested to withstand Prolonged submersion under a 6 foot head of water for 24 hours (NEMA **6P** requirements). Add suffix **-SUB6P** to catalog number.
- These boxes can be tested to withstand submersion up to a 20-foot head of water. Add suffix **-SUB__** to catalog number, filling in the blank space with the number of feet from 7 up to 20, followed by **P** if Prolonged submersion is required.
- All YF-SUB enclosures are subject to a price addition on application and must have:

1. Mounting Lugs
2. Bossed, drilled, and tapped conduit entrances (BDT series).

Cast Iron

Catalog Number	Aprox. Wall Thick.*	Inside Dim. (inches) L x W x D
YF-040403†	5/32	4 x 4 x 3
YF-040404†	5/32	4 x 4 x 4
YF-050504†	3/16	5 x 5 x 4
YF-060403†	5/32	6 x 4 x 3
YF-060404†	5/32	6 x 4 x 4
YF-060603	3/16	6 x 6 x 3
YF-060604	3/32	6 x 6 x 4
YF-060606	3/32	6 x 6 x 6
YF-080403†	3/16	8 x 4 x 3
YF-080404	3/16	8 x 4 x 4
YF-080603	3/32	8 x 6 x 3
YF-080604	3/32	8 x 6 x 4
YF-080606	3/32	8 x 6 x 6
YF-080804	3/32	8 x 8 x 4
YF-080806	1/4	8 x 8 x 6
YF-080808	1/4	8 x 8 x 8
YF-100604	3/32	10 x 6 x 4
YF-100606	3/32	10 x 6 x 6
YF-100804	1/4	10 x 8 x 4
YF-100806	1/4	10 x 8 x 6
YF-100808	1/4	10 x 8 x 8
YF-101004	1/4	10 x 10 x 4
YF-101006	1/4	10 x 10 x 6
YF-101008	1/4	10 x 10 x 8
YF-120404	1/4	12 x 4 x 4
YF-120604	1/4	12 x 6 x 4
YF-120606	1/4	12 x 6 x 6
YF-120804	1/4	12 x 8 x 4
YF-120806	1/4	12 x 8 x 6
YF-120808	1/4	12 x 8 x 8
YF-121004	1/4	12 x 10 x 4
YF-121006	1/4	12 x 10 x 6

Cast Iron

Catalog Number	Aprox. Wall Thick.*	Inside Dim. (inches) L x W x D
YF-121008	1/4	12 x 10 x 8
YF-121204	1/4	12 x 12 x 4
YF-121206	1/4	12 x 12 x 6
YF-121207	5/16	12 x 12 x 7
YF-121208	5/16	12 x 12 x 8
YF-121210	5/16	12 x 12 x 10
YF-121212	5/16	12 x 12 x 12
YF-140804	1/4	14 x 8 x 4
YF-140806	1/4	14 x 8 x 6
YF-140808	1/4	14 x 8 x 8
YF-141406	3/16	14 x 14 x 6
YF-141408	3/16	14 x 14 x 8
YF-141410	5/16	14 x 14 x 10
YF-161204	5/32	16 x 12 x 4
YF-161206	5/32	16 x 12 x 6
YF-161208	5/32	16 x 12 x 8
YF-161606	5/16	16 x 16 x 6
YF-180606	5/32	18 x 6 x 6
YF-180804	5/32	18 x 8 x 4
YF-180806	5/32	18 x 8 x 6
YF-181204	1/4	18 x 12 x 4
YF-181206	5/32	18 x 12 x 6
YF-181208	5/16	18 x 12 x 8
YF-181210	5/16	18 x 12 x 10
YF-181212	5/16	18 x 12 x 12
YF-181218	11/32	18 x 12 x 18
YF-181806	5/16	18 x 18 x 6
YF-181808	5/16	18 x 18 x 8
YF-181810	5/16	18 x 18 x 10
YF-181812	5/16	18 x 18 x 12
YF-241206	5/16	24 x 12 x 6
YF-241208	5/16	24 x 12 x 8

Cast Iron

Catalog Number	Aprox. Wall Thick.*	Inside Dim. (inches) L x W x D
YF-241212	5/16	24 x 12 x 12
YF-241806	11/32	24 x 18 x 6
YF-241808	11/32	24 x 18 x 8
YF-241810	11/32	24 x 18 x 10
YF-241812	11/32	24 x 18 x 12
YF-241818	11/32	24 x 18 x 18
YF-242406	11/32	24 x 24 x 6
YF-242408	11/32	24 x 24 x 8
YF-242410	3/8	24 x 24 x 10
YF-242412	3/8	24 x 24 x 12
YF-242424	3/8	24 x 24 x 24
YF-281208	3/8	28 x 12 x 8
YF-281212	3/8	28 x 12 x 12
YF-302408	3/8	30 x 24 x 8
YF-302410	3/8	30 x 24 x 10
YF-302412	3/8	30 x 24 x 12
YF-302418	3/8	30 x 24 x 18
YF-302418	3/8	30 x 24 x 18
YF-361806	3/8	36 x 18 x 6
YF-361808	3/8	36 x 18 x 8
YF-361812	3/8	36 x 18 x 12
YF-361818	3/8	36 x 18 x 18
YF-362418	13/32	36 x 24 x 18
YF-363608	7/16	36 x 36 x 8
YF-363610	7/16	36 x 36 x 10
YF-363612	7/16	36 x 36 x 12
YF-363618	7/16	36 x 36 x 18

*Measured 2" up from back of box.
† Mounting Lugs are optional.

Notes:

- Mounting Lugs are standard on boxes over 100 cubic inches internal volume, and optional on boxes 100 cubic inches or less. See Pages UA4 and UA7 for additional information and ordering instructions.
- See Page UA3 for additional NEMA data.

- See Pages UA4-UA9 for ordering instructions and additional cost items.
- See Page UA10 for mounting lug dimensions, if applicable.
- See Page UA11 for blank Drilling Template, to lay out conduit entries and optional features.

Flat Flanged Boxes

Cast Aluminum Box For Surface Mounting - NEMA 4

Type YF-A

Watertight - Raintight - Dust Tight

Use:

These boxes have been listed by Underwriters' Laboratories, Inc. as a Type 4 enclosure. They are also suitable for use indoors or outdoors where they would be subjected to splashing water, seepage of water, falling or hose directed water and severe external condensation (Watertight NEMA 4).

Standard Construction:

- Cast aluminum box and cover
- Neoprene gasket
- Stainless steel cover screws
- Ground flange on box
- Mounting Lugs (see notes)

Third Party Certification:



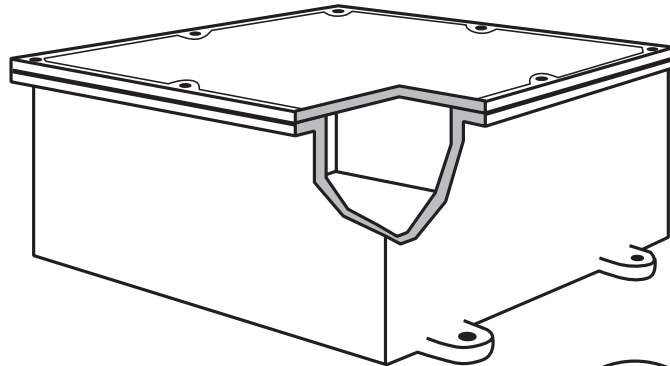
UL Listed: Type 4 Watertight E-18095 and E-24824

Applicable Third Party Standards:

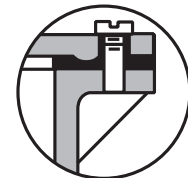
UL Standard: 514A, 50
NEMA 250-1997 Type 4

Notes:

- For Submersible NEMA 6 requirements, refer to Type YF Cast Iron Junction Boxes on page UA16.
- Mounting Lugs are standard on boxes over 100 cubic inches internal volume, and optional on boxes 100 cubic inches or less. See Pages UA4 and UA7 for additional information and ordering instructions.
- See Page UA3 for additional NEMA data.
- See Pages UA4-UA9 for ordering instructions and additional cost items.
- See Page UA10 for mounting lug dimensions, if applicable.
- See Page UA11 for blank Drilling Template, to lay out conduit entries and optional features.
- Aluminum enclosures with stainless steel hardware may be ordered with optional polyester powder coating to meet Type 4X corrosion protection, add suffix -NX. Contact your local representative for price and availability.



The ridge on the underside of the cover assures a good seal.



Cast Aluminum

Catalog Number	Aprox. Wall Thick.*	Inside Dim. (inches) L x W x D
YF-040403A†	5/32	4 x 4 x 3
YF-040404A†	5/32	4 x 4 x 4
YF-050504A†	3/16	5 x 5 x 4
YF-060403A†	5/32	6 x 4 x 3
YF-060404A†	5/32	6 x 4 x 4
YF-060603A	3/16	6 x 6 x 3
YF-060604A	3/32	6 x 6 x 4
YF-060606A	7/32	6 x 6 x 6
YF-080403A†	3/16	8 x 4 x 3
YF-080404A	3/16	8 x 4 x 4
YF-080603A	7/32	8 x 6 x 3
YF-080604A	7/32	8 x 6 x 4
YF-080606A	7/32	8 x 6 x 6
YF-080804A	7/32	8 x 8 x 4
YF-080806A	1/4	8 x 8 x 6
YF-080808A	1/4	8 x 8 x 8
YF-100604A	7/32	10 x 6 x 4
YF-100606A	7/32	10 x 6 x 6
YF-100804A	1/4	10 x 8 x 4
YF-100806A	1/4	10 x 8 x 6
YF-100808A	1/4	10 x 8 x 8
YF-101004A	1/4	10 x 10 x 4
YF-101006A	1/4	10 x 10 x 6
YF-101008A	1/4	10 x 10 x 8
YF-120404A	1/4	12 x 4 x 4
YF-120604A	1/4	12 x 6 x 4
YF-120606A	1/4	12 x 6 x 6
YF-120804A	1/4	12 x 8 x 4
YF-120806A	1/4	12 x 8 x 6
YF-120808A	1/4	12 x 8 x 8
YF-121004A	1/4	12 x 10 x 4
YF-121006A	1/4	12 x 10 x 6

Cast Aluminum

Catalog Number	Aprox. Wall Thick.*	Inside Dim. (inches) L x W x D
YF-121008A	1/4	12 x 10 x 8
YF-121204A	1/4	12 x 12 x 4
YF-121206A	1/4	12 x 12 x 6
YF-121207A	3/16	12 x 12 x 7
YF-121208A	3/16	12 x 12 x 8
YF-121210A	3/16	12 x 12 x 10
YF-121212A	3/16	12 x 12 x 12
YF-140804A	1/4	14 x 8 x 4
YF-140806A	1/4	14 x 8 x 6
YF-140808A	1/4	14 x 8 x 8
YF-141406A	3/16	14 x 14 x 6
YF-141408A	3/16	14 x 14 x 8
YF-141410A	3/16	14 x 14 x 10
YF-161204A	5/32	16 x 12 x 4
YF-161206A	5/32	16 x 12 x 6
YF-161208A	5/32	16 x 12 x 8
YF-161606A	3/16	16 x 16 x 6
YF-180606A	5/32	18 x 6 x 6
YF-180804A	5/32	18 x 8 x 4
YF-180806A	5/32	18 x 8 x 6
YF-181204A	1/4	18 x 12 x 4
YF-181206A	5/32	18 x 12 x 6
YF-181208A	3/16	18 x 12 x 8
YF-181210A	5/16	18 x 12 x 10
YF-181212A	5/16	18 x 12 x 12
YF-181218A	11/32	18 x 12 x 18
YF-181806A	3/16	18 x 18 x 6
YF-181808A	3/16	18 x 18 x 8
YF-181810A	3/16	18 x 18 x 10
YF-181812A	3/16	18 x 18 x 12
YF-241206A	5/16	24 x 12 x 6
YF-241208A	5/16	24 x 12 x 8

Cast Aluminum

Catalog Number	Aprox. Wall Thick.*	Inside Dim. (inches) L x W x D
YF-241212A	5/16	24 x 12 x 12
YF-241806A	11/32	24 x 18 x 6
YF-241808A	11/32	24 x 18 x 8
YF-241810A	11/32	24 x 18 x 10
YF-241812A	11/32	24 x 18 x 12
YF-241818A	11/32	24 x 18 x 18
YF-242406A	11/32	24 x 24 x 6
YF-242408A	11/32	24 x 24 x 8
YF-242410A	3/8	24 x 24 x 10
YF-242412A	3/8	24 x 24 x 12
YF-242424A	3/8	24 x 24 x 24
YF-281208A	3/8	28 x 12 x 8
YF-281212A	3/8	28 x 12 x 12
YF-302408A	3/8	30 x 24 x 8
YF-302410A	3/8	30 x 24 x 10
YF-302412A	3/8	30 x 24 x 12
YF-302418A	3/8	30 x 24 x 18
YF-361806A	3/8	36 x 18 x 6
YF-361808A	3/8	36 x 18 x 8
YF-361812A	3/8	36 x 18 x 12
YF-361818A	3/8	36 x 18 x 18
YF-362418A	11/32	36 x 24 x 18
YF-363608A	7/16	36 x 36 x 8
YF-363610A	7/16	36 x 36 x 10
YF-363612A	7/16	36 x 36 x 12
YF-363618A	7/16	36 x 36 x 18

*Measured 2" up from back of box.
† Mounting Lugs are optional.

Hinged Cover Boxes

Cast Iron Box For Surface Mounting - NEMA 4

Type YW

Watertight - Raintight - Dust Tight

Use:

These Hinged Cover Boxes make ideal enclosures where equipment within the box has to be inspected frequently and easy access is required. The hinges are adjusted at the factory for proper gasket pressure, but can be readjusted in the field as required.


Standard Construction:

- Cast iron box and cover
- Neoprene gasket
- Stainless steel cover screws
- Mounting Lugs (see notes)

Features:

- Hinges are always located on the long side of the box and unless otherwise specified on the right side.

Third Party Certification:

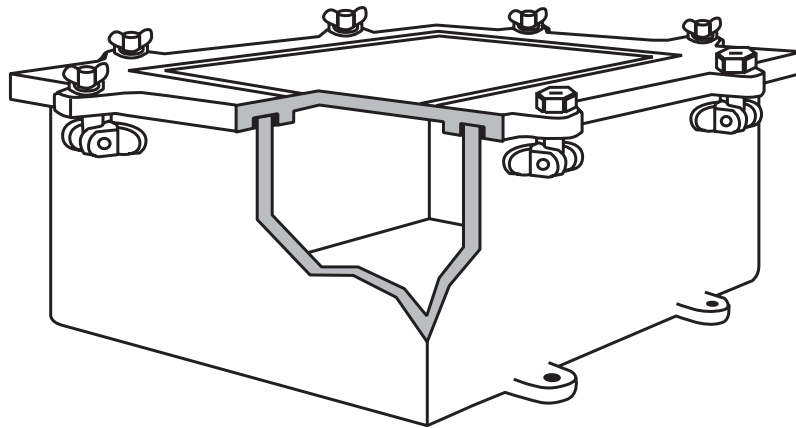
 UL Listed: Type 4 Raintight E-18095 and E-24824

Applicable Third Party Standards:

UL Standard: 514A, 50
NEMA 250-1997 Type 4

Notes:

- Mounting Lugs are standard on boxes over 100 cubic inches internal volume, and optional on boxes 100 cubic inches or less. See Pages UA4 and UA7 for additional information and ordering instructions.
- Type YW Boxes have a post in each corner and allowances must be made for them when conduit entrances are to be located close to a corner. See "Recommended Location and Spacing of Conduits" on page UA5.
- See Page UA3 for additional NEMA data.
- See Pages UA4-UA9 for ordering instructions and additional cost items.
- See Page UA10 for mounting lug dimensions, if applicable.
- See Page UA11 for blank Drilling Template, to lay out conduit entries and optional features.



Cast Iron

Catalog Number	Aprox. Wall Thick.*	Inside Dim. (inches) L x W x D
YW-050503†	3/16	5 x 5 x 3
YW-050504†	3/16	5 x 5 x 4
YW-060403†	3/16	6 x 4 x 3
YW-060404†	3/16	6 x 4 x 4
YW-060603	3/16	6 x 6 x 3
YW-060604	3/16	6 x 6 x 4
YW-060605	3/32	6 x 6 x 5
YW-060606	1/4	6 x 6 x 6
YW-060610	3/32	6 x 6 x 9 1/2
YW-080403†	3/16	8 x 4 x 3
YW-080404	3/32	8 x 4 x 4
YW-080603	3/16	8 x 6 x 3
YW-080604	3/32	8 x 6 x 4
YW-080605	3/32	8 x 6 x 5
YW-080606	1/4	8 x 6 x 6
YW-080803	3/16	8 x 8 x 3
YW-080804	3/32	8 x 8 x 4
YW-080805	3/32	8 x 8 x 5
YW-080806	1/4	8 x 8 x 6
YW-080808	3/16	8 x 8 x 8
YW-090603	3/16	9 x 6 x 3
YW-090604	3/32	9 x 6 x 4
YW-100604	3/32	10 x 6 x 4
YW-100605	1/4	10 x 6 x 5
YW-100606	3/32	10 x 6 x 6
YW-100804	3/32	10 x 8 x 4
YW-100805	1/4	10 x 8 x 5
YW-100806	3/32	10 x 8 x 6
YW-100808	3/16	10 x 8 x 8
YW-100810	1 1/32	10 x 8 x 9 1/2
YW-101003	3/16	10 x 10 x 3
YW-101004	3/32	10 x 10 x 4
YW-101005	1/4	10 x 10 x 5
YW-101006	1/4	10 x 10 x 6
YW-120603	3/16	12 x 6 x 3
YW-120604	3/32	12 x 6 x 4
YW-120606	3/32	12 x 6 x 6
YW-120804	3/32	12 x 8 x 4
YW-120806	3/32	12 x 8 x 6
YW-120808	3/16	12 x 8 x 8
YW-121004	1/4	12 x 10 x 4
YW-121005	1/4	12 x 10 x 5
YW-121006	1 1/32	12 x 10 x 6
YW-121008	3/16	12 x 10 x 8

Cast Iron

Catalog Number	Aprox. Wall Thick.*	Inside Dim. (inches) L x W x D
YW-121203	3/16	12 x 12 x 3
YW-121204	1/4	12 x 12 x 4
YW-121206	3/32	12 x 12 x 6
YW-121208	3/16	12 x 12 x 8
YW-121210	1 1/32	12 x 12 x 10
YW-121212	3/8	12 x 12 x 12
YW-140804	1/4	14 x 8 x 4
YW-140806	3/32	14 x 8 x 6
YW-141006	3/32	14 x 10 x 6
YW-141008	3/16	14 x 10 x 8
YW-141406	3/32	14 x 14 x 6
YW-141408	3/16	14 x 14 x 8
YW-141410	1 1/32	14 x 14 x 10
YW-150604	1/4	15 x 6 x 4
YW-150808	3/16	15 x 8 x 8
YW-150904	1/4	15 x 9 x 4
YW-150906	3/32	15 x 9 x 6
YW-151006	3/32	15 x 10 x 6
YW-161006	3/32	16 x 10 x 6
YW-161008	3/16	16 x 10 x 8
YW-161204	1/4	16 x 12 x 4
YW-161206	3/32	16 x 12 x 6
YW-161208	3/16	16 x 12 x 8
YW-161606	3/32	16 x 16 x 6
YW-180604	1/4	18 x 6 x 4
YW-180606	3/32	18 x 6 x 6
YW-180806	3/32	18 x 8 x 6
YW-180808	3/16	18 x 8 x 8
YW-181204	1/4	18 x 12 x 4
YW-181206	3/32	18 x 12 x 6
YW-181208	3/16	18 x 12 x 8
YW-181210	3/8	18 x 12 x 10
YW-181212	7/16	18 x 12 x 12
YW-181406	3/32	18 x 14 x 6
YW-181408	3/16	18 x 14 x 8
YW-181606	3/32	18 x 16 x 6
YW-181608	3/16	18 x 16 x 8
YW-181806	3/16	18 x 18 x 6
YW-181808	1 1/32	18 x 18 x 8
YW-181810	3/8	18 x 18 x 10
YW-181812	7/16	18 x 18 x 12
YW-201006	3/32	20 x 10 x 6
YW-201008	3/16	20 x 10 x 8
YW-202006	3/16	20 x 20 x 6

Cast Iron

Catalog Number	Aprox. Wall Thick.*	Inside Dim. (inches) L x W x D
YW-240806	3/32	24 x 8 x 6
YW-240808	1 1/32	24 x 8 x 8
YW-241206	3/32	24 x 12 x 6
YW-241208	3/16	24 x 12 x 8
YW-241212	7/16	24 x 12 x 12
YW-241606	3/32	24 x 16 x 6
YW-241608	1 1/32	24 x 16 x 8
YW-241806	3/16	24 x 18 x 6
YW-241808	1 1/32	24 x 18 x 8
YW-242410	3/8	24 x 24 x 10
YW-242412	7/16	24 x 24 x 12
YW-242416	1/2	24 x 24 x 16
YW-281206	3/16	28 x 12 x 6
YW-281208	3/8	28 x 12 x 8
YW-281212	7/16	28 x 12 x 12
YW-300806	3/32	30 x 8 x 6
YW-300808	1 1/32	30 x 8 x 8
YW-301808	1 1/32	30 x 18 x 8
YW-301812	7/16	30 x 18 x 12
YW-301814	1/2	30 x 18 x 14
YW-302406	1 1/32	30 x 24 x 6
YW-302408	3/8	30 x 24 x 8
YW-302412	7/16	30 x 24 x 12
YW-360606	3/32	36 x 6 x 6
YW-361208	7/16	36 x 12 x 8
YW-361212	1 1/32	36 x 12 x 12
YW-361808	7/16	36 x 18 x 8
YW-362408	1 1/32	36 x 24 x 8
YW-362412	7/16	36 x 24 x 12
YW-363608	3/8	36 x 36 x 8
YW-363612	7/16	36 x 36 x 12

*Measured 2" up from back of box.

† Mounting Lugs are optional.

Hinged Cover Boxes

Cast Aluminum Box For Surface Mounting - NEMA 4

Type YW-A

Watertight - Raintight - Dust Tight

Use:

These Hinged Cover Boxes make ideal enclosures where equipment within the box has to be inspected frequently and easy access is required. The hinges are adjusted at the factory for proper gasket pressure, but can be readjusted in the field as required.

Standard Construction:

- Cast aluminum box and cover
- Neoprene gasket
- Stainless steel cover screws
- Mounting Lugs (see notes)

Features:

- Hinges are always located on the long side of the box and unless otherwise specified on the right side.

Third Party Certification:



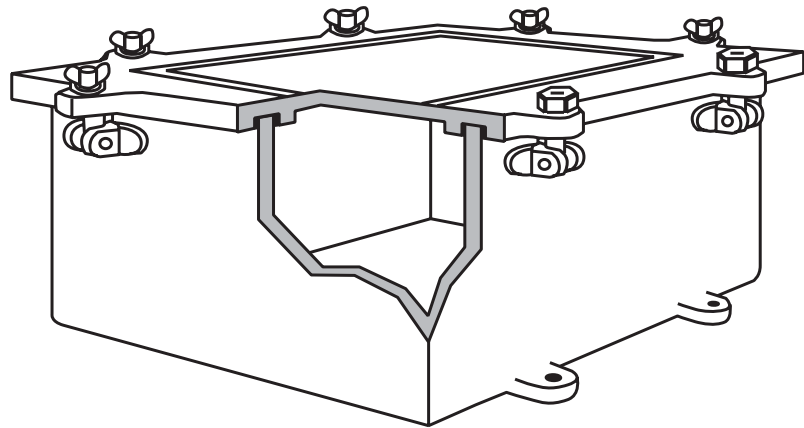
UL Listed: Type 4 Raintight E-18095 and E-24824

Applicable Third Party Standards:

UL Standard: 514A, 50
NEMA 250-1997 Type 4

Notes:

- Mounting Lugs are standard on boxes over 100 cubic inches internal volume, and optional on boxes 100 cubic inches or less. See Pages UA4 and UA7 for additional information and ordering instructions.
- Type YW-A Boxes have a post in each corner and allowances must be made for them when conduit entrances are to be located close to a corner. See "Recommended Location and Spacing of Conduits" on page UA5.
- See Page UA3 for additional NEMA data.
- See Pages UA4-UA9 for ordering instructions and additional cost items.
- See Page UA10 for mounting lug dimensions, if applicable.
- See Page UA11 for blank Drilling Template, to lay out conduit entries and optional features.
- Aluminum enclosures with stainless steel hardware may be ordered with optional polyester powder coating to meet Type 4X corrosion protection, add suffix -NX. Contact your local representative for price and availability.



Cast Aluminum

Catalog Number	Aprox. Wall Thick.*	Inside Dim. (inches) L x W x D
YW-050503A†	3/16	5 x 5 x 3
YW-050504A†	3/16	5 x 5 x 4
YW-060403A†	3/16	6 x 4 x 3
YW-060404A†	3/16	6 x 4 x 4
YW-060603A	3/16	6 x 6 x 3
YW-060604A	3/16	6 x 6 x 4
YW-060605A	3/32	6 x 6 x 5
YW-060606A	1/4	6 x 6 x 6
YW-060610A	3/32	6 x 6 x 9 1/2
YW-080403A†	3/16	8 x 4 x 3
YW-080404A	3/32	8 x 4 x 4
YW-080603A	3/16	8 x 6 x 3
YW-080604A	3/32	8 x 6 x 4
YW-080605A	3/32	8 x 6 x 5
YW-080606A	1/4	8 x 6 x 6
YW-080803A	3/16	8 x 8 x 3
YW-080804A	3/32	8 x 8 x 4
YW-080805A	3/32	8 x 8 x 5
YW-080806A	1/4	8 x 8 x 6
YW-080808A	3/16	8 x 8 x 8
YW-090603A	3/16	9 x 6 x 3
YW-090604A	3/32	9 x 6 x 4
YW-100604A	3/32	10 x 6 x 4
YW-100605A	1/4	10 x 6 x 5
YW-100606A	3/32	10 x 6 x 6
YW-100804A	3/32	10 x 8 x 4
YW-100805A	1/4	10 x 8 x 5
YW-100806A	3/32	10 x 8 x 6
YW-100808A	3/16	10 x 8 x 8
YW-100810A	1/32	10 x 8 x 9 1/2
YW-101003A	3/16	10 x 10 x 3
YW-101004A	3/32	10 x 10 x 3
YW-101005A	1/4	10 x 10 x 5
YW-101006A	1/4	10 x 10 x 6
YW-120603A	3/16	12 x 6 x 3
YW-120604A	3/32	12 x 6 x 4
YW-120606A	3/32	12 x 6 x 6
YW-120804A	3/32	12 x 8 x 4
YW-120806A	3/32	12 x 8 x 6
YW-120808A	3/16	12 x 8 x 8
YW-121004A	1/4	12 x 10 x 4
YW-121005A	1/4	12 x 10 x 5
YW-121006A	1/32	12 x 10 x 6
YW-121008A	3/16	12 x 10 x 8

Cast Aluminum

Catalog Number	Aprox. Wall Thick.*	Inside Dim. (inches) L x W x D
YW-121203A	3/16	12 x 12 x 3
YW-121204A	1/4	12 x 12 x 4
YW-121206A	3/32	12 x 12 x 6
YW-121208A	3/16	12 x 12 x 8
YW-121210A	1/32	12 x 12 x 10
YW-121212A	3/8	12 x 12 x 12
YW-140804A	1/4	14 x 8 x 4
YW-140806A	3/32	14 x 8 x 6
YW-141006A	3/32	14 x 10 x 6
YW-141008A	3/16	14 x 10 x 8
YW-141406A	3/32	14 x 14 x 6
YW-141408A	3/16	14 x 14 x 8
YW-141410A	1/32	14 x 14 x 10
YW-150604A	1/4	15 x 6 x 4
YW-150808A	3/16	15 x 8 x 8
YW-150904A	1/4	15 x 9 x 4
YW-150906A	3/32	15 x 9 x 6
YW-151006A	3/32	15 x 10 x 6
YW-161006A	3/32	16 x 10 x 6
YW-161008A	3/16	16 x 10 x 8
YW-161204A	1/4	16 x 12 x 4
YW-161206A	3/32	16 x 12 x 6
YW-161208A	3/16	16 x 12 x 8
YW-161606A	3/32	16 x 16 x 6
YW-180604A	1/4	18 x 6 x 4
YW-180606A	3/32	18 x 6 x 6
YW-180806A	3/32	18 x 8 x 6
YW-180808A	3/16	18 x 8 x 8
YW-181204A	1/4	18 x 12 x 4
YW-181206A	3/32	18 x 12 x 6
YW-181208A	3/16	18 x 12 x 8
YW-181210A	3/8	18 x 12 x 10
YW-181212A	7/16	18 x 12 x 12
YW-181406A	3/32	18 x 14 x 6
YW-181408A	3/16	18 x 14 x 8
YW-181606A	3/32	18 x 16 x 6
YW-181608A	3/16	18 x 16 x 8
YW-181806A	3/16	18 x 18 x 6
YW-181808A	1/32	18 x 18 x 8
YW-181810A	3/8	18 x 18 x 10
YW-181812A	7/16	18 x 18 x 12
YW-201006A	3/32	20 x 10 x 6
YW-201008A	3/16	20 x 10 x 8
YW-202006A	3/16	20 x 20 x 6

Cast Aluminum

Catalog Number	Aprox. Wall Thick.*	Inside Dim. (inches) L x W x D
YW-240806A	3/32	24 x 8 x 6
YW-240808A	1/32	24 x 8 x 8
YW-241206A	3/32	24 x 12 x 6
YW-241208A	3/16	24 x 12 x 8
YW-241212A	7/16	24 x 12 x 12
YW-241606A	3/32	24 x 16 x 6
YW-241608A	1/32	24 x 16 x 8
YW-241806A	3/16	24 x 18 x 6
YW-241808A	1/32	24 x 18 x 8
YW-241810A	3/8	24 x 18 x 10
YW-241812A	7/16	24 x 18 x 12
YW-242406A	3/16	24 x 24 x 6
YW-242408A	1/32	24 x 24 x 8
YW-242410A	3/8	24 x 24 x 10
YW-242412A	7/16	24 x 24 x 12
YW-242416A	1/2	24 x 24 x 16
YW-281206A	3/16	28 x 12 x 6
YW-281208A	3/8	28 x 12 x 8
YW-281212A	7/16	28 x 12 x 12
YW-300806A	3/32	30 x 8 x 6
YW-300808A	1/32	30 x 8 x 8
YW-301808A	1/32	30 x 18 x 8
YW-301812A	7/16	30 x 18 x 12
YW-301814A	1/2	30 x 18 x 14
YW-302406A	1/32	30 x 24 x 6
YW-302408A	3/8	30 x 24 x 8
YW-302412A	7/16	30 x 24 x 12
YW-360606A	3/32	36 x 6 x 6
YW-361208A	7/16	36 x 12 x 8
YW-361212A	1/32	36 x 12 x 12
YW-361808A	7/16	36 x 18 x 8
YW-362408A	1/32	36 x 24 x 8
YW-362412A	7/16	36 x 24 x 12
YW-363608A	3/8	36 x 36 x 8
YW-363612A	7/16	36 x 36 x 12

*Measured 2" up from back of box.
† Mounting Lugs are optional.

Hinged Cover Terminal Cabinets

Cast Iron or Aluminum Boxes for Surface Mounting - NEMA 4

Type YW-T

Cast Iron Box & Cover

Type YW-T-A

Cast Aluminum Box & Cover

Use:

These terminal cabinets consist of our Type YW and YW-A enclosures in which are mounted heavy duty terminal blocks (45A., 600V).

The terminal blocks used provide an individual connection for each incoming lead and an individual connection for each outgoing lead and are joined by a connecting strip.

Terminal blocks with provisions for connecting the incoming and outgoing leads on a common stud as required on telephone and thermocouple leads can be furnished.

Standard Construction:

- Type YW-T - Cast iron box and cover with hot dip galvanized finish.
- Type YW-T-A - Cast aluminum box and cover.
- Neoprene gasket
- Stainless steel cover hardware
- Mounting lugs
- Heavy duty terminal blocks (50A., 600V) for #10 max wires

Third Party Certification:

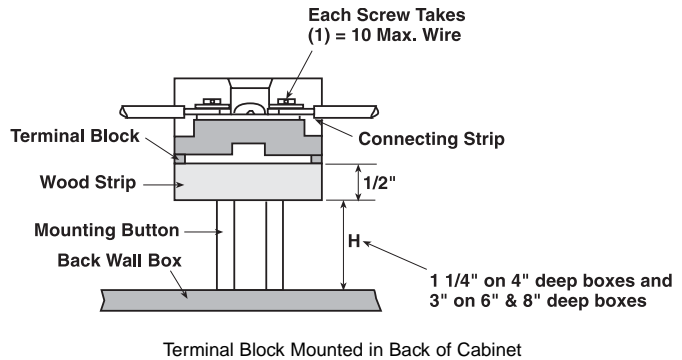
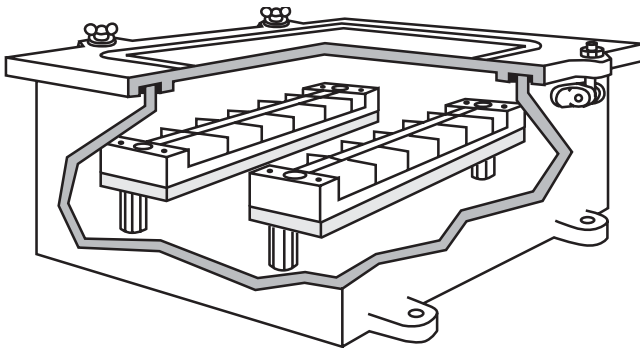
UL Listed E-18095 and E-24824 (Listing covers the Types YW and YW-A enclosures only.)

Applicable Third Party Standards:

- UL Standard: 514A, 50 NEMA 250-1997, Type 4

Notes:

- Hinges are always located on the long side of the box, and unless otherwise specified, on the right side.
- This type of box has a post in each corner and allowances must be made for them when conduit entrances are to be located close to a corner.
- See "Recommended Location and Spacing of Conduits", on Page UA5.
- See Page UA3 for additional NEMA data.
- See Pages UA4-UA9 for ordering instructions and additional cost items.
- See Page UA10 for mounting lug dimensions, if applicable.
- See Page UA11 for blank Drilling Template, to lay out conduit entries and optional features.



Cast Iron Catalog Number	Cast Aluminum Catalog Number	No. of Circuits	Arrangement of Blocks Vertical Rows	Max. Wall Thick.*	Max.** Conduit Size	Inside Dimensions L x W x D	No. of Hinges	No. of Thumb Screws		
								Left Side	Top	Bottom
YW-100604-8T	YW-100604-8TA	8		3/32	2	10 x 6 x 4	2	2	--	--
YW-120604-12T	YW-120604-12TA	12		3/32	2	12 x 6 x 4	2	2	--	--
YW-121204-16T	YW-121204-16TA	16		1/4	2	12 x 12 x 4	2	2	1	1
YW-121204-24T	YW-121204-24TA	24		1/4	2	12 x 12 x 4	2	2	1	1
YW-161204-32T	YW-161204-32TA	32		1/4	2	16 x 12 x 4	2	2	1	1
YW-181204-40T	YW-181204-40TA	40		1/4	2	12 x 4 x 3	3	3	1	1
YW-241206-48T	YW-241206-48TA	48		3/32	4	24 x 12 x 6	3	3	1	1
YW-181806-60T	YW-181806-60TA	60		5/16	4	18 x 18 x 6	3	3	2	2
YW-241806-72T	YW-241806-72TA	72		5/16	4	24 x 18 x 6	3	3	2	2
YW-301808-84T	YW-301808-84TA	84		11/32	5	30 x 18 x 8	3	3	2	2
YW-301808-96T	YW-301808-96TA	96		1/32	5	30 x 18 x 8	3	3	2	2
YW-301808-108T	YW-301808-108TA	108		7/16	5	36 x 18 x 8	5	5	2	2
YW-361808-120T	YW-361808-120TA	120		7/16	5	36 x 18 x 8	5	5	2	2

* Measured 2" up from back of box.

**The anchors for mounting the wing nuts and hinges on the box limit the amount of space available for conduit entrances. The bottom of these anchors extend a maximum of 1 1/2" below the top edge of the box. Where it is possible to locate the conduit openings between the anchors, the full height of the box may be utilized. A detailed dimensional drawing showing the location of hinges and fastenings is available and may be obtained upon request. Contact your local representative.

Junction Boxes with Multi-Branch Distribution Panel

For 600 Volt Maximum Service

Type YF 1950

Distribution panel mounted in our flat flanged boxes

Use:

These distribution panels provide a fast and convenient means of making branch connections from the main cables.

These distribution panels can also be mounted in any of the various types of square or rectangular enclosures shown in this catalog. Contact your local representative for price and availability.

Standard Construction:

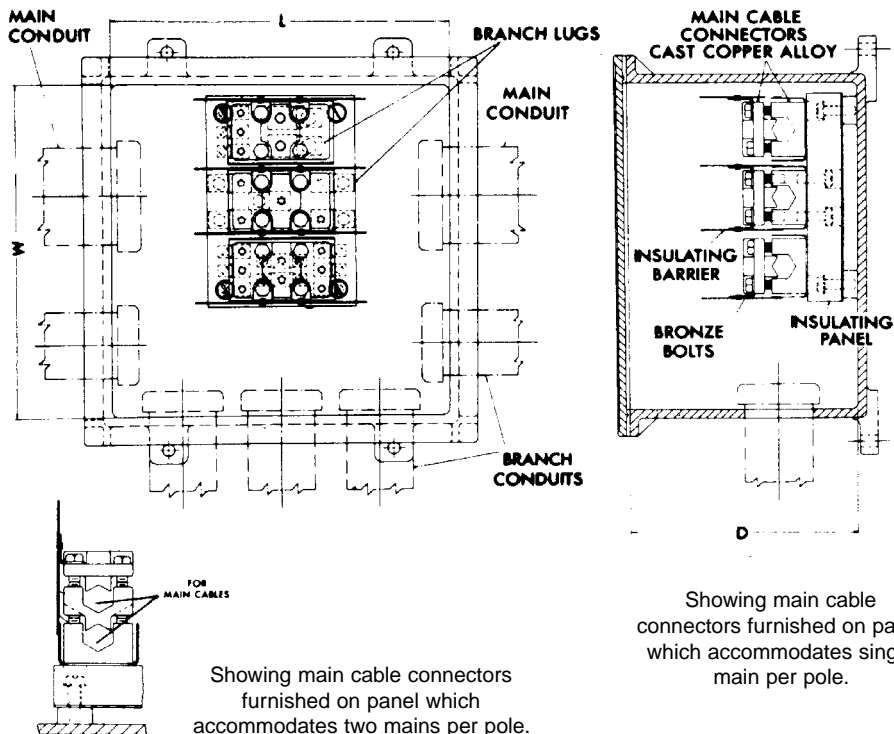
- Enclosure of standard construction as listed on Pages UA 16 and UA17.
- Complete with distribution panel less the branch lugs. (Refer to note below and Section LA for separate listing of lugs.)

Note:

Each main connector will accommodate the following size and number of branch lugs:

Catalog Number	Number Branch Lugs Accommodated	Conductor Range Min	Conductor Range Max
XL 041	8 or 4	8	4
XLH 011	2, 3 or 6	4	1
XLH 221	4	1	2/0
XLH 241	2	2/0	4/0
XLH 301	1	4/0	300 kcmil

Type XL: Socket set screw
Type XLH: Hex set screw



CAST IRON ENCLOSURES							
Catalog Number	No. of Poles	Number of Main Wire Per Pole	Cable Range Mains*		Inside Dimensions of Enclosure (In.)**	Main Conduits No.	Main Conduits Max. Size (In.)
			Min	Max	L x W x D		
YF-1950-324	3	1	1/0	4/0	12 x 12 x 8	2	3
YF-1950-350	3	1	250 kcmil	500 kcmil	12 x 12 x 8	2	3
YF-1950-424	4	1	1/0	4/0	14 x 14 x 8	2	3½
YF-1950-450	4	1	250 kcmil	500 kcmil	14 x 14 x 8	2	3½
YF-1950-624	3	2	1/0	4/0	18 x 12 x 10	4	3
YF-1950-650	3	2	250 kcmil	500 kcmil	18 x 12 x 10	4	3
YF-1950-824	4	2	1/0	4/0	18 x 18 x 10	4	3½
YF-1950-850	4	2	250 kcmil	500 kcmil	18 x 18 x 10	4	3½

CAST ALUMINUM ENCLOSURES							
Catalog Number	No. of Poles	Number of Main Wire Per Pole	Cable Range Mains*		Inside Dimensions of Enclosure (In.)**	Main Conduits No.	Main Conduits Max. Size (In.)
			Min	Max	L x W x D		
YF-1950-324A	3	1	1/0	4/0	12 x 12 x 8	2	3
YF-1950-350A	3	1	250 kcmil	500 kcmil	12 x 12 x 8	2	3
YF-1950-424A	4	1	1/0	4/0	14 x 14 x 8	2	3½
YF-1950-450A	4	1	250 kcmil	500 kcmil	14 x 14 x 8	2	3½
YF-1950-624A	3	2	1/0	4/0	18 x 12 x 10	4	3
YF-1950-650A	3	2	250 kcmil	500 kcmil	18 x 12 x 10	4	3
YF-1950-824A	4	2	1/0	4/0	18 x 18 x 10	4	3½
YF-1950-850A	4	2	250 kcmil	500 kcmil	18 x 18 x 10	4	3½

Notes to Tables:
*If all main wires do not fall within same range, specify range for each pole.
**If additional wiring space is required, larger enclosure can be furnished at additional cost.

Outside Flanged Recessed Cover Boxes

Cast Iron Box For Flush Mounting - NEMA 4

Type YR

Watertight - Raintight - Dust Tight

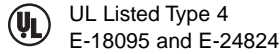
Use:

These recessed cover boxes are listed by Underwriters' Laboratories, Inc. as Type 4. They are suitable for use outdoors where they would be subjected to rain or dripping or splashing of water. This type of box is designed especially for flush mounting in walls or floors as shown or can be used for surface mounting using optional mounting lugs. They are furnished with a plain cover as shown but can be supplied with steel checkered plate covers suitable for foot traffic (add Suffix "CS"). Steel checkered covers suitable for vehicular traffic (H-20 loading) can also be furnished at a price addition (add Suffix "CSV").

Standard Construction:

- Cast iron box and plain cover
- Hot dip galvanized finish
- Neoprene gasket
- Stainless steel cover screws

Third Party Certification:

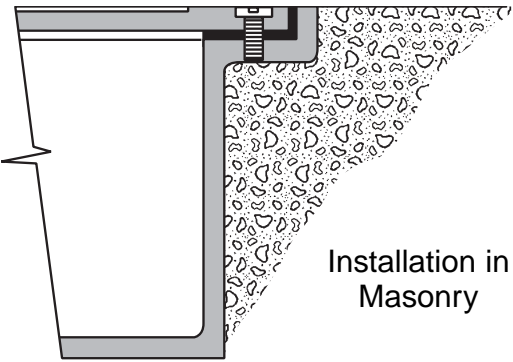
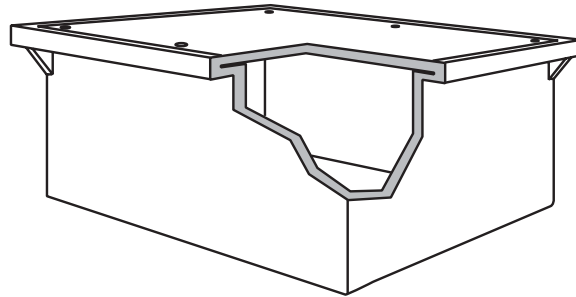


Applicable Third Party Standards:

UL Standard: 514A , 50
NEMA 250-1997 Type 4

Notes:

- These boxes can be furnished in Cast Aluminum however they are not recommended for installation in concrete. Contact your local representative for price and availability.
- See Page UA3 for additional NEMA data.
- See Pages UA4-UA9 for ordering instructions and additional cost items.
- See Page UA10 for mounting lug dimensions, if applicable.
- See Page UA11 for blank Drilling Template, to lay out conduit entries and optional features.



Installation in Masonry

Cast Iron

Catalog Number	Aprox. Wall Thick.*	Inside Dim. (inches) L x W x D
YR-040403	5/32	4 x 4 x 3
YR-040404	5/32	4 x 4 x 4
YR-060403	5/32	6 x 4 x 3
YR-060404	5/32	6 x 4 x 4
YR-060603	7/32	6 x 6 x 3
YR-060604	7/32	6 x 6 x 4
YR-080403	3/16	8 x 4 x 3
YR-080404	3/16	8 x 4 x 4
YR-080603	7/32	8 x 6 x 3
YR-080604	7/32	8 x 6 x 4
YR-080606	7/32	8 x 6 x 6
YR-080804	1/4	8 x 8 x 4
YR-080806	1/4	8 x 8 x 6
YR-080808	1/4	8 x 8 x 8
YR-100604	7/32	10 x 6 x 4
YR-100606	7/32	10 x 6 x 6
YR-100806	1/4	10 x 8 x 6
YR-101004	1/4	10 x 10 x 4
YR-101006	1/4	10 x 10 x 6
YR-101008	1/4	10 x 10 x 8
YR-120604	1/4	12 x 6 x 4
YR-120606	1/4	12 x 6 x 6
YR-120804	1/4	12 x 8 x 4
YR-120806	1/4	12 x 8 x 6
YR-120808	1/4	12 x 8 x 8
YR-121004	1/4	12 x 10 x 4
YR-121006	1/4	12 x 10 x 6
YR-121008	1/4	12 x 10 x 8
YR-121010	1/4	12 x 10 x 10
YR-121204	1/4	12 x 12 x 4
YR-121206	1/4	12 x 12 x 6

Cast Iron

Catalog Number	Aprox. Wall Thick.*	Inside Dim. (inches) L x W x D
YR-121208	3/16	12 x 12 x 8
YR-121210	3/16	12 x 12 x 10
YR-121212	3/16	12 x 12 x 12
YR-121218	3/16	12 x 12 x 18
YR-140804	1/4	14 x 8 x 4
YR-140806	1/4	14 x 8 x 6
YR-161204	5/32	16 x 12 x 4
YR-161206	5/32	16 x 12 x 6
YR-161208	5/32	16 x 12 x 8
YR-161408	5/16	16 x 14 x 8
YR-180606	5/32	18 x 6 x 6
YR-180806	5/32	18 x 8 x 6
YR-180808	5/32	18 x 8 x 8
YR-181008	5/16	18 x 10 x 8
YR-181204	1/4	18 x 12 x 4
YR-181206	5/32	18 x 12 x 6
YR-181208	5/16	18 x 12 x 8
YR-181210	5/16	18 x 12 x 10
YR-181212	5/16	18 x 12 x 12
YR-181218	11/32	18 x 12 x 18
YR-181806	5/16	18 x 18 x 6
YR-181808	5/16	18 x 18 x 8
YR-181810	5/16	18 x 18 x 10
YR-181812	5/16	18 x 18 x 12
YR-201615	3/8	20 x 16 x 15
YR-240808	5/32	24 x 8 x 8
YR-241206	5/16	24 x 12 x 6
YR-241208	5/16	24 x 12 x 8
YR-241210	5/16	24 x 12 x 10
YR-241212	5/16	24 x 12 x 12
YR-241806	11/32	24 x 18 x 6
YR-241808	11/32	24 x 18 x 8

Cast Iron

Catalog Number	Aprox. Wall Thick.*	Inside Dim. (inches) L x W x D
YR-241810	11/32	24 x 18 x 10
YR-241812	11/32	24 x 18 x 12
YR-242406	11/32	24 x 24 x 6
YR-242408	11/32	24 x 24 x 8
YR-242410	3/8	24 x 24 x 10
YR-242412	3/8	24 x 24 x 12
YR-242418	3/8	24 x 24 x 18
YR-242424	7/16	24 x 24 x 24
YR-302408	3/8	30 x 24 x 8
YR-302410	3/8	30 x 24 x 10
YR-302412	3/8	30 x 24 x 12
YR-302418	3/8	30 x 24 x 18
YR-361806	3/8	36 x 18 x 6
YR-361808	3/8	36 x 18 x 8
YR-361812	3/8	36 x 18 x 12
YR-361818	3/8	36 x 18 x 18
YR-362410	13/32	36 x 24 x 10
YR-362418	13/32	36 x 24 x 18
YR-363608	7/16	36 x 36 x 8
YR-363610	7/16	36 x 36 x 10
YR-363612	7/16	36 x 36 x 12
YR-363618	7/16	36 x 36 x 18

*Measured 2" up from back of box.

Inside Flanged Recessed Cover Boxes

Cast Iron Box For Flush Mounting - NEMA 3R

Type YU

Dust Tight - Raintight


Use:

These recessed cover boxes are designed for flush mounting in masonry. They are furnished with a plain cover as shown but can be supplied with steel checkered plate covers suitable for foot traffic, if specified, at a price addition. Add suffix "CS" to catalog number.

Standard Construction:

- Cast iron box and plain cover
- Hot dip galvanized finish
- Neoprene gasket
- Stainless steel cover screws

Third Party Certification:

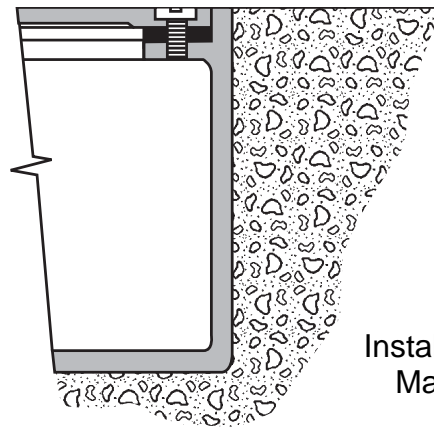
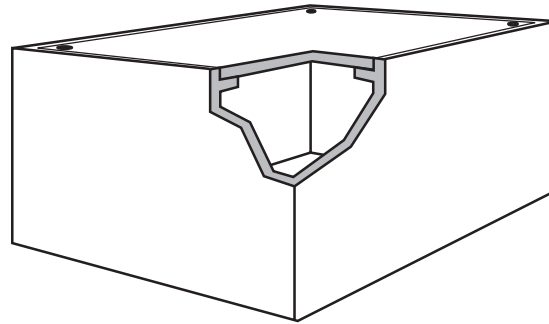
 UL Listed E-18095 and E-24824

Applicable Third Party Standards:

UL Standard: 514A , 50
NEMA 250-1997 Type 3R

Notes:

- These boxes can be furnished in Cast Aluminum however they are not recommended for installation in concrete. Contact your local representative for price and availability.
- See Page UA3 for additional NEMA data.
- See Pages UA4-UA9 for ordering instructions and additional cost items.
- See Page UA10 for mounting lug dimensions, if applicable.
- See Page UA11 for blank Drilling Template, to lay out conduit entries and optional features.



Installation in
Masonry

Cast Iron

Catalog Number	Approx. Wall Thick.*	Inside Dim. (inches) L x W x D
YU-040402	1/32	4 x 4 x 2
YU-040403	1/32	4 x 4 x 3
YU-040404	1/32	4 x 4 x 4
YU-060403	1/32	6 x 4 x 3
YU-060404	1/32	6 x 4 x 4
YU-060604	1/32	6 x 6 x 4
YU-060606	1/32	6 x 6 x 6
YU-080404	1/4	8 x 4 x 4
YU-080604	1/4	8 x 6 x 4
YU-080606	1/4	8 x 6 x 6
YU-080804	1/4	8 x 8 x 4
YU-080806	1/4	8 x 8 x 6
YU-080808	1/4	8 x 8 x 8
YU-100604	1/4	10 x 6 x 4
YU-100605	1/4	10 x 6 x 5
YU-100804	1/4	10 x 8 x 4
YU-100806	1/4	10 x 8 x 6
YU-100808	1/4	10 x 8 x 8
YU-100811	1/4	10 x 8 x 11
YU-101004	1/4	10 x 10 x 4

Cast Iron

Catalog Number	Approx. Wall Thick.*	Inside Dim. (inches) L x W x D
YU-101006	1/4	10 x 10 x 6
YU-101008	1/4	10 x 10 x 8
YU-120604	1/4	12 x 6 x 4
YU-120606	1/4	12 x 6 x 6
YU-120804	1/4	12 x 8 x 4
YU-120806	1/4	12 x 8 x 6
YU-120808	1/4	12 x 8 x 8
YU-120811	1/16	12 x 8 x 11
YU-121204	1/32	12 x 12 x 4
YU-121206	1/4	12 x 12 x 6
YU-121208	1/32	12 x 12 x 8
YU-121212	1/16	12 x 12 x 12
YU-140806	1/4	14 x 8 x 6
YU-141404	1/16	14 x 14 x 4
YU-141406	1/16	14 x 14 x 6
YU-141408	1/16	14 x 14 x 8
YU-141410	1/16	14 x 14 x 10
YU-160604	1/4	16 x 6 x 4
YU-160606	1/4	16 x 6 x 6
YU-160804	1/4	16 x 8 x 4

Cast Iron

Catalog Number	Approx. Wall Thick.*	Inside Dim. (inches) L x W x D
YU-160808	1/4	16 x 8 x 8
YU-161206	1/32	16 x 12 x 6
YU-161208	1/32	16 x 12 x 8
YU-180806	1/32	18 x 8 x 6
YU-180808	1/32	18 x 8 x 8
YU-181204	1/4	18 x 12 x 4
YU-181206	1/4	18 x 12 x 6
YU-181208	1/4	18 x 12 x 8
YU-181210	1/32	18 x 12 x 10
YU-181212	1/32	18 x 12 x 12
YU-181218	3/8	18 x 12 x 18
YU-181604	1/4	18 x 16 x 4
YU-181608	1/32	18 x 16 x 8
YU-240606	1/32	24 x 6 x 6
YU-240806	1/16	24 x 8 x 6
YU-240808	1/16	24 x 8 x 8

*Measured 2" up from back of box.

Checked Cover Sidewalk Boxes

Cast Iron Box For Flush Mounting

Type YT

Use:

These boxes are specially designed to be mounted in sidewalks and other flat concrete surfaces. Their checkered covers are made to withstand pedestrian traffic. The flanges and covers are interchangeable to permit replacement without disturbing the box or conduit system. Steel checkered covers suitable for vehicular traffic (H-20 loading) can also be furnished at a price addition (add Suffix "CSV").

Features:

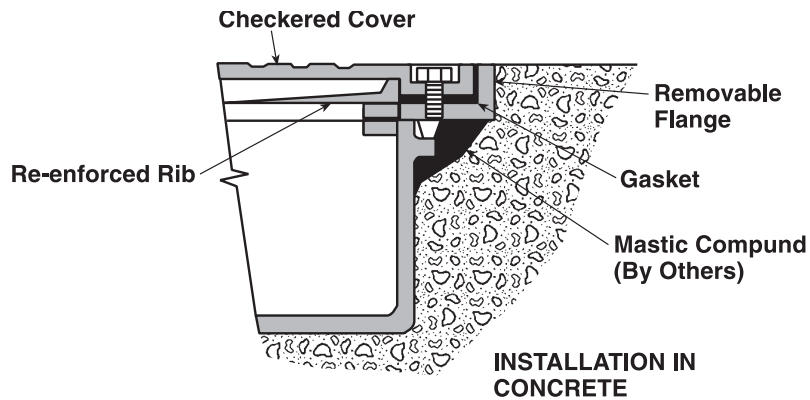
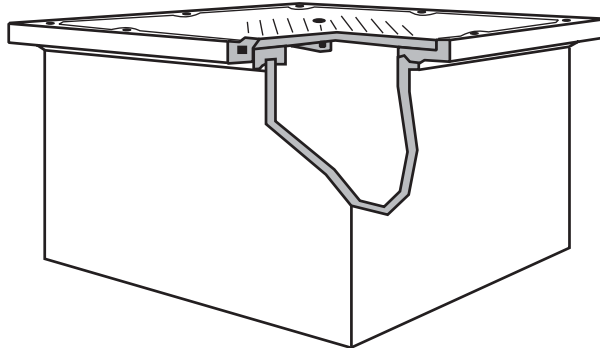
- Flanges and covers are interchangeable to permit replacement without disturbing box or conduit system.

Standard Construction:

- Cast iron box, flange and cover
- Cross-ribbed checkered cover with pry bar slots
- Hot dip galvanized finish
- Neoprene gasket
- Stainless steel cover screws

Notes:

- Type YT boxes have a post in each corner and allowances must be made for them, when conduit entrances are to be located close to a corner. See "Recommended Location and Spacing of Conduits", on Page UA5.
- These boxes can be furnished in Cast Aluminum however they are not recommended for installation in concrete. Contact your local representative for price and availability.
- See Page UA3 for additional NEMA data.
- See Pages UA4-UA9 for ordering instructions and additional cost items.
- See Page UA10 for mounting lug dimensions, if applicable.
- See Page UA11 for blank Drilling Template, to lay out conduit entries and optional features.



Cast Iron

Catalog Number	Aprox. Wall Thick.*	Inside Dim. (inches) L x W x D
YT-060604	1/4	6 x 6 x 4
YT-080604	1/4	8 x 6 x 4
YT-080804	1/4	8 x 8 x 4
YT-080806	1/4	8 x 8 x 6
YT-080808	1/4	8 x 8 x 8
YT-120806	5/16	12 x 8 x 6
YT-120808	3/8	12 x 8 x 8
YT-121204	5/16	12 x 12 x 4
YT-121206	5/16	12 x 12 x 6
YT-121208	3/8	12 x 12 x 8
YT-121212	3/8	12 x 12 x 12
YT-141406	5/16	14 x 14 x 6
YT-141408	3/8	14 x 14 x 8
YT-141410	3/8	14 x 14 x 10
YT-141412	3/8	14 x 14 x 12
YT-181015	3/8	18 x 10 x 15

Cast Iron

Catalog Number	Aprox. Wall Thick.*	Inside Dim. (inches) L x W x D
YT-181206	3/8	18 x 12 x 6
YT-181208	3/8	18 x 12 x 8
YT-181210	3/8	18 x 12 x 10
YT-181212	3/8	18 x 12 x 12
YT-181808	3/8	18 x 18 x 8
YT-181812	3/8	18 x 18 x 12
YT-241206	3/8	24 x 12 x 6
YT-241208	3/8	24 x 12 x 8
YT-241210	3/8	24 x 12 x 10
YT-241212	3/8	24 x 12 x 12
YT-241216	3/8	24 x 12 x 16
YT-241410	3/8	24 x 14 x 10
YT-241412	3/8	24 x 14 x 12
YT-241806	3/8	24 x 18 x 6
YT-241808	3/8	24 x 18 x 8
YT-241810	3/8	24 x 18 x 10
YT-241812	3/8	24 x 18 x 12
YT-242406	1/2	24 x 24 x 6
YT-242408	1/2	24 x 24 x 8

Cast Iron

Catalog Number	Aprox. Wall Thick.*	Inside Dim. (inches) L x W x D
YT-242410	3/8	24 x 24 x 10
YT-242412	3/8	24 x 24 x 12
YT-301010	3/8	30 x 10 x 10
YT-301210	3/8	30 x 12 x 10
YT-301212	3/8	30 x 12 x 12
YT-301410	3/8	30 x 14 x 10
YT-301412	3/8	30 x 14 x 12
YT-301414	3/8	30 x 14 x 14
YT-301808	3/8	30 x 18 x 8
YT-301812	3/8	30 x 18 x 12
YT-361808	3/8	36 x 18 x 8
YT-361812	3/8	36 x 18 x 12
YT-362412	3/8	36 x 24 x 12
YT-362414	3/8	36 x 24 x 14

*Measured 2" up from back of box.

Hinged Door & Trim Cabinet

Cast Iron Box For Flush Mounting in Walls

Type YC

Use:

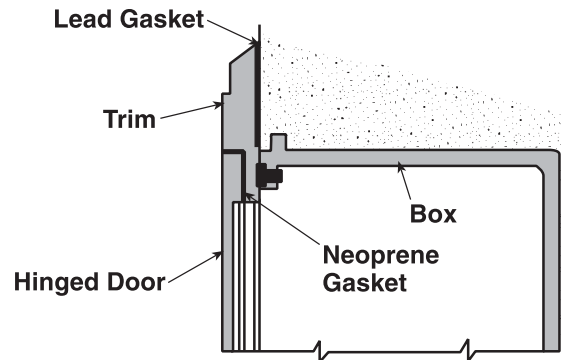
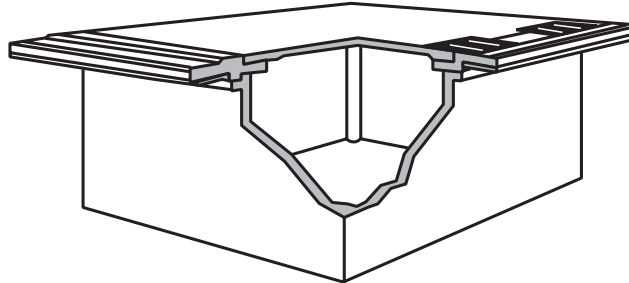
These boxes have ornamental trim for flush mounting in concrete or stone structures. They are used in bridge construction, underpasses and approaches. They may house time switches, relays or other types of equipment.

Standard Construction:

- Cast iron box, hot dip galvanized
- Trim and door - cast iron, hot dip galvanized, or cast bronze - specify correct Catalog Number from table.
- Neoprene gasket and one-piece lead gasket
- Non-removable hinges
- Brass cylinder lock with two keys
- Lettering cast on cover per specification at price option

Notes:

- Type YC boxes have a post in each corner and allowances must be made for them, when conduit entrances are to be located close to a corner. See "Recommended Location and Spacing of Conduits" on Page UA5.
- See Page UA3 for additional NEMA data.
- See Pages UA4-UA9 for ordering instructions and additional cost items.
- See Page UA10 for mounting lug dimensions, if applicable.
- See Page UA11 for blank Drilling Template, to lay out conduit entries and optional features.



Installation in Wall

Box/ Trim/Door Cast Iron/ Hot Dip Galvanized Catalog Number	Box Cast Iron/Hot Dip Galvanized Trim/Door Cast Bronze Catalog Number	Aprox. Wall Thick.*	Inside Dim. (inches)		
			L	W	D
YC-060604	YC-060604B	1/4	6	6	4
YC-080804	YC-080804B	1/4	8	8	4
YC-080806	YC-080806B	1/4	8	8	6
YC-080808	YC-080808B	1/4	8	8	8
YC-121204	YC-121204B	3/16	12	12	4
YC-121206	YC-121206B	3/16	12	12	6
YC-121208	YC-121208B	3/16	12	12	8
YC-141404	YC-141404B	3/16	14	14	4
YC-141406	YC-141406B	3/16	14	14	6
YC-141408	YC-141408B	3/16	14	14	8
YC-141410	YC-141410B	3/16	14	14	10
YC-161606	YC-161606B	3/16	16	16	6
YC-161608	YC-161608B	3/16	16	16	8
YC-161612	YC-161612B	3/16	16	16	12
YC-181206	YC-181206B	3/16	18	12	6
YC-181208	YC-181208B	3/16	18	12	8
YC-181210	YC-181210B	3/16	18	12	10
YC-181212	YC-181212B	3/16	18	12	12
YC-181806	YC-181806B	3/16	18	18	6
YC-181808	YC-181808B	3/16	18	18	8
YC-181812	YC-181812B	3/16	18	18	12
YC-242406	YC-242406B	3/16	24	24	6
YC-242408	YC-242408B	3/16	24	24	8
YC-242410	YC-242410B	3/16	24	24	10
YC-242412	YC-242412B	3/16	24	24	12

*Measured 2" up from back of box.

Checked Cover Sidewalk Topping Box

Cast Iron Box For Flush Mounting - Open Bottom

Type Y58E

Use:

These open-bottom boxes are designed to top off an underlying concrete pull box. The construction details of the cover and flange are the same as those of the Type YT shown on Page UA24.

Standard Construction:

- Cast iron box, flange and cover
- Cross-ribbed checked cover with pry bar slots
- Hot dip galvanized finish
- Neoprene gasket
- Stainless steel cover screws

Options:

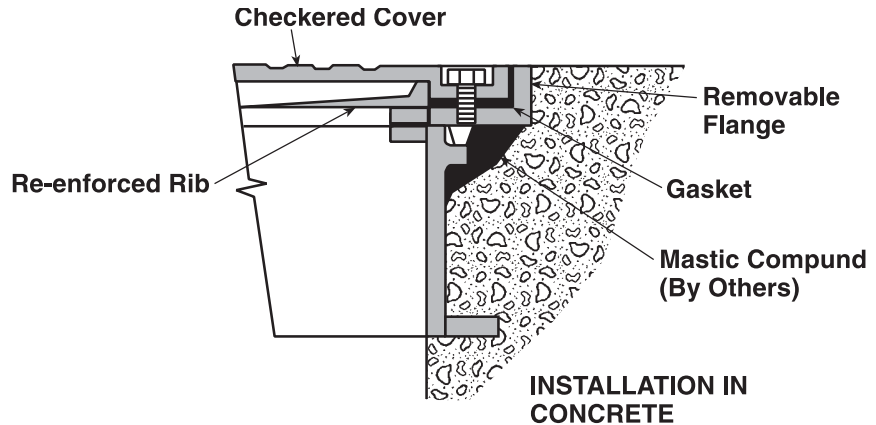
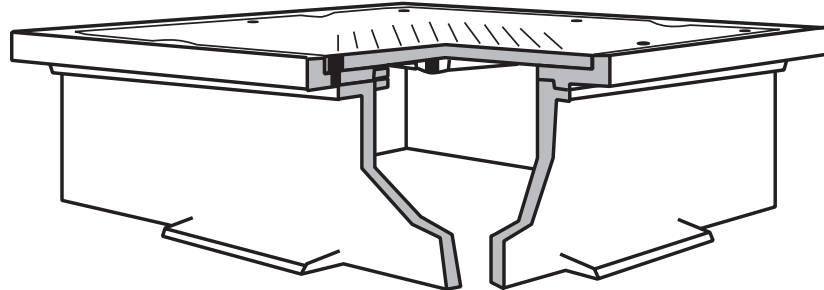
- Engraved Lettering on Cover per specification

Third Party Certification:

- ASTM C-1028 Coefficient of Friction standard

Notes:

- See Page UA3 for additional NEMA data.
- See Pages UA4-UA9 for ordering instructions and additional cost items.
- See Page UA10 for mounting lug dimensions, if applicable.
- See Page UA11 for blank Drilling Template, to lay out conduit entries and optional features.



Cast Iron

Catalog Number	Aprox. Wall Thick.*	Inside Dim. (inches) L x W x D
Y58E-1212	3/8"	12 x 12 x 5
Y58E-1812	3/8"	18 x 12 x 5
Y58E-2412	3/8"	24 x 12 x 5
Y58E-2418	3/8"	24 x 18 x 5
Y58E-2424	3/8"	24 x 24 x 5
Y58E-3018	3/8"	30 x 18 x 5
Y58E-3618	3/8"	36 x 18 x 5
Y58E-3624	3/8"	36 x 24 x 5
Y58E-3636	3/8"	36 x 36 x 5
Y58E-4224	3/8"	42 x 24 x 5

*Measured 2" up from back of box.

Checked Cover Roadway Topping Box

Cast Iron Box For Flush Mounting - Open Bottom

Type YNY

Use:

These open-bottom boxes are designed to top off concrete pull boxes. Design of these boxes is similar to the Type Y58E on Page UA26 except box and flange are one piece and cover is of cast steel or ductile iron. Units designed to withstand vehicular traffic, H-20 loading.

Standard Construction:

- Cast iron box and cast steel or ductile iron cover
- Cross-ribbed checked cover with pry bar slots
- Hot dip galvanized finish
- Neoprene gasket
- Stainless steel cover screws

Options:

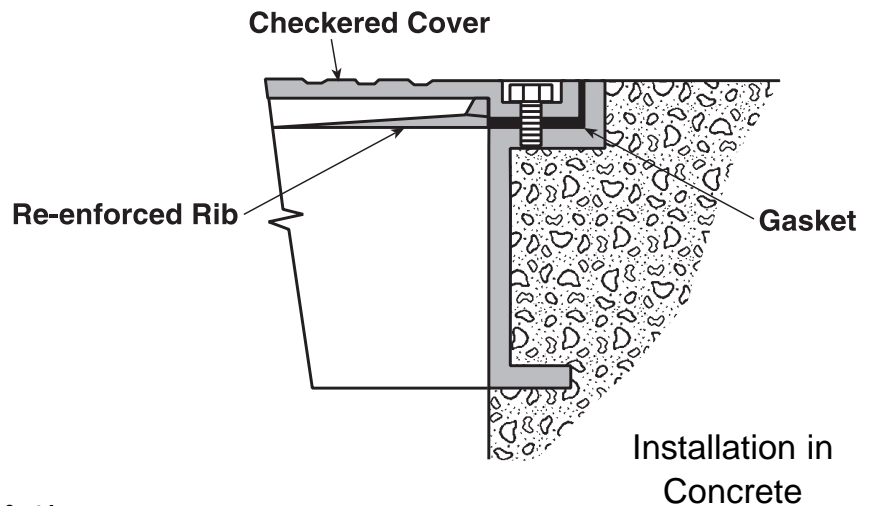
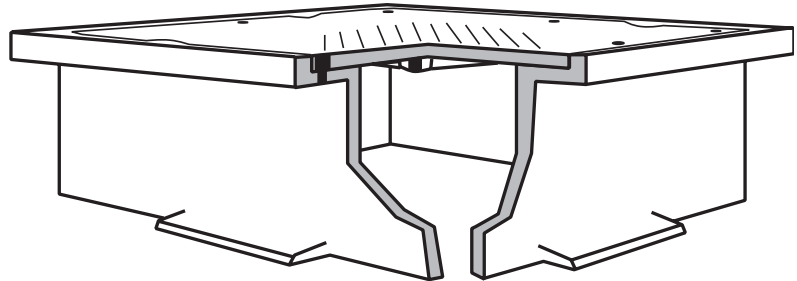
- Engraved Lettering on Cover per specification

Third Party Certification:

- ASTM C-1028 Coefficient of Friction standard

Notes:

- See Page UA3 for additional NEMA data.
- See Pages UA4-UA9 for ordering instructions and additional cost items.
- See Page UA10 for mounting lug dimensions, if applicable.
- See Page UA11 for blank Drilling Template, to lay out conduit entries and optional features.



Cast Iron

Catalog Number	Aprox. Wall Thick.*	Inside Dim. (inches) L x W x D
YNY-1812-DIV	3/8	18 x 12 x 5 1/2
YNY-2418-DIV	3/8	24 x 18 x 5 1/2
YNY-3018-DIV	3/8	30 x 18 x 5 1/2
YNY-3618-DIV	3/8	36 x 18 x 5 1/2
YNY-3624-DIV	3/8	36 x 24 x 5 1/2
YNY-4824-DIV	3/8	48 x 24 x 5 1/2

*Measured 2" up from back of box.